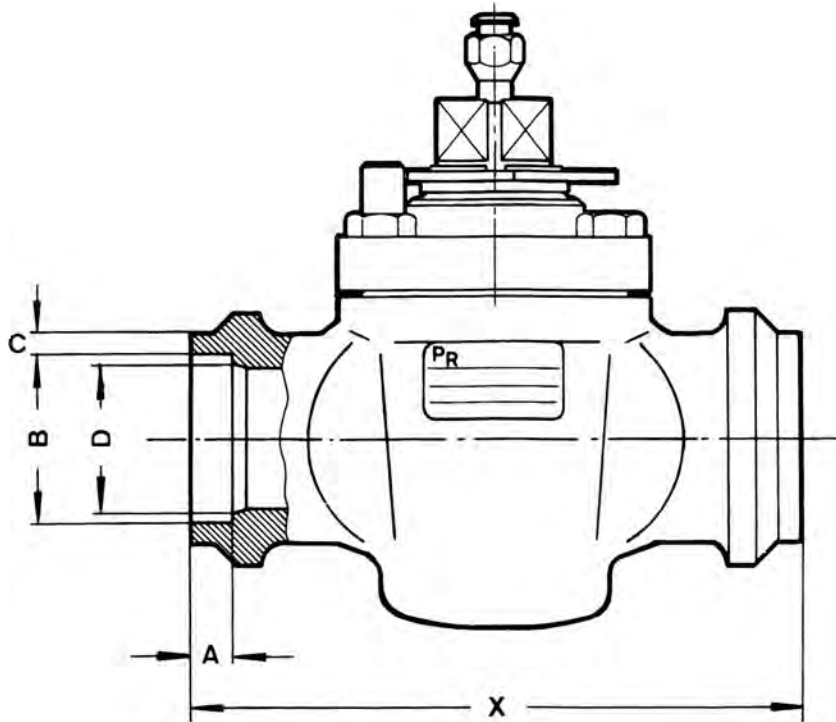




# TAPER PLUG VALVES

Sockets Welding Ends Dimension



ANSI B16.11

X = ANSI B16.10 Buttwelding End

Valve size	A	B	C			D		
			* Schedul 40	Schedul 80	Schedul 160	* Schedul 40	Schedul 80	Schedul 160
1/2"	9,65	21,84	3,71	4,67	5,97	15,80	15,80	11,79
3/4"	12,70	27,18	3,56	4,90	6,96	20,93	20,93	15,54
1"	12,70	33,91	4,21	5,69	7,92	26,64	26,64	20,70
1 1/4"	12,70	42,67	4,44	6,07	7,92	35,05	35,05	29,46
1 1/2"	12,70	48,77	4,59	6,35	8,92	40,89	40,89	33,99
2"	15,75	61,24	4,90	6,93	10,92	52,50	52,50	42,85
2 1/2"	15,75	74,00	6,45	8,76		62,71	62,71	
3"	15,75	89,98	6,85	9,53		77,93	77,93	
4"	19,05	115,63	7,54	10,69		102,26	102,26	

Tolerances: B = 1/2" - 2" = ±0,1  
 2 1/2" - 4" = ±0,15

D = 1/2" - 2" = ±0,7  
 2 1/2" - 4" = ±1,5

\* Not included in ANSI B16.11.