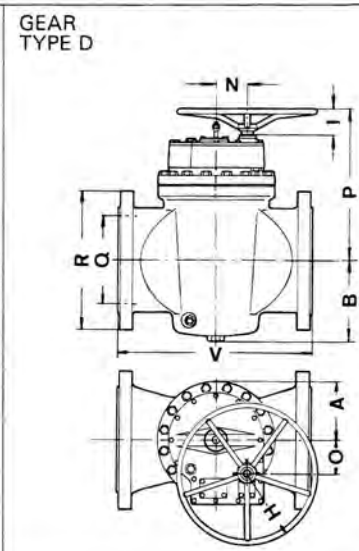
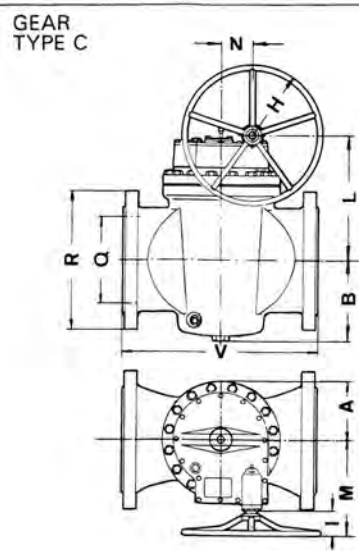
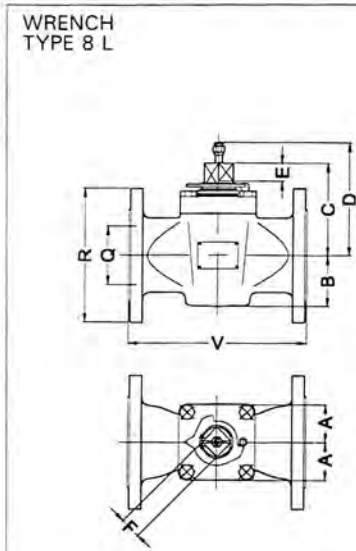




STRAIGHTWAY TAPER PLUG VALVES

CAST STEEL CLASS 300
VENTURI PATTERN
RECTANGULAR PORT

Class	Max. CWP	Test Pressure	Pattern	Connections	Port	Materials		Operation
						Body & Cover	Plug	
300	740 Psi	Shell 1125 Psi Seat 815 Psi	Straightway Venturi	Flanges R.F. or R.J. ASME B 16.5 Face to Face ASME B 16.10	Rectangular	Cast Steel ASTM A 216 Grade WCB Cover: EN 10025 S355J0 S355J2G3	Cast Iron ASTM A 126 Class B	Manual
							Steel	



Plug	DN 6"	DN 6" - 16"	DN 8" - 16"
Cast Iron	9-AT 70144 N	9-AT 70144 C	5-AT 70144 D
Steel	9-AT 70147 N	9-AT 70147 C	5-AT 70147 D

DN	A	B	C	D	E	F	H	I	L	M	N	O	P	Q	R	V	V
6"	106	123	198	278	38	41	150	101	183	195	71			152	318	403	419
8"	128	153	260	340	52	55	200	101	284	268	85	46	407	203	381	419	435
10"	145	186					200	101	326	268	85	46	449	254	445	457	473
12"	171	219					300	101	376	293	95	70	500	305	521	502	518
14"	180	243					300	101	404	293	95	70	528	337	584	762	778
16"	202	274					300	101	487	361	135	69	621	387	648	838	854