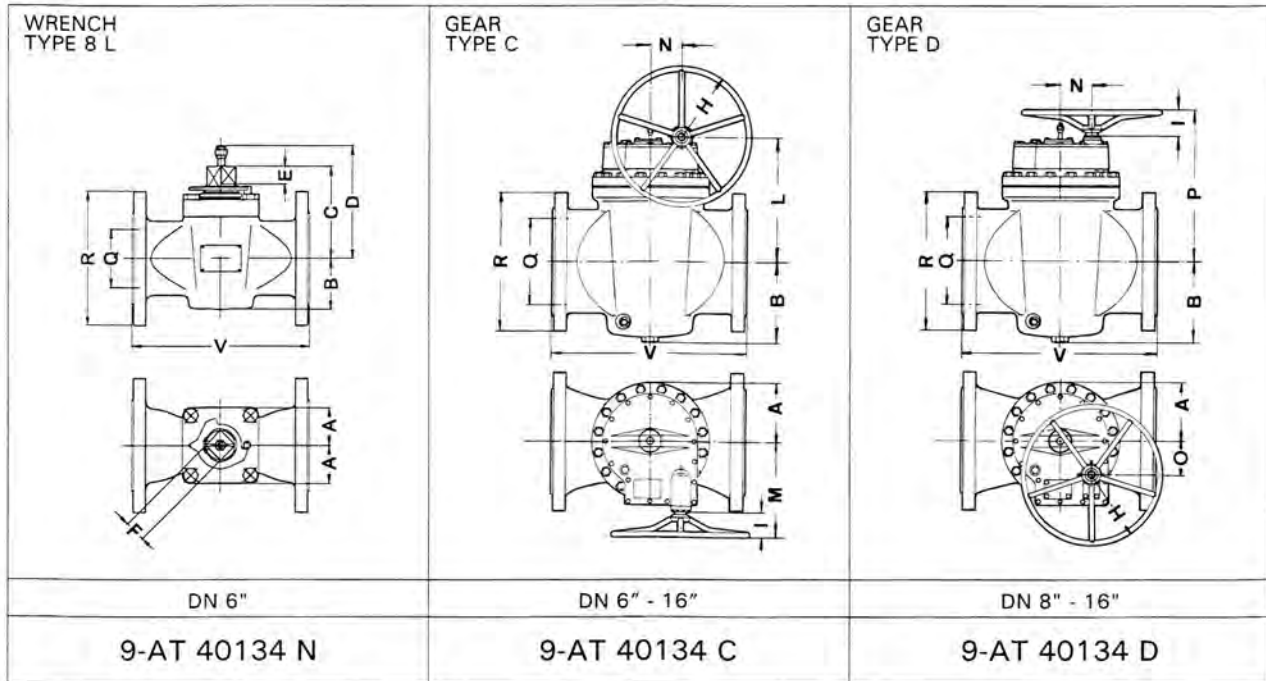




# STRAIGHTWAY TAPER PLUG VALVES

CAST IRON CLASS 250  
VENTURI PATTERN  
RECTANGULAR PORT

Class	Max. CWP	Test Pressure	Pattern	Connections	Port	Materials		Operation
						Body & Cover	Plug	
250	≤ 12" 500 Psi ≥ 14" 300 Psi	Shell ≤ 12" 750 Psi ≥ 14" 450 Psi Seat ≤ 12" 550 Psi ≥ 14" 330 Psi	Straightway Venturi	Flange R.F. ASME B 16.1 Face to Face ASME 16.10	Rectangular	Cast Iron ASTM A 126 Class B	Cast Iron ASTM A 126 Class B	Manual



DN	A	B	C	D	E	F	H	I	L	M	N	O	P	Q	R	V
6"	106	123	198	278	37	41	150	101	183	195	71			152	318	403
8"	128	153	260	340	52	55	200	101	284	268	85	46	407	203	381	419
10"	145	186					200	101	326	268	85	46	449	254	445	457
12"	171	219					300	101	376	293	95	70	500	305	521	502
14"	180	243					300	101	404	293	95	70	528	337	584	762
16"	202	274					300	101	487	361	135	69	621	387	648	838