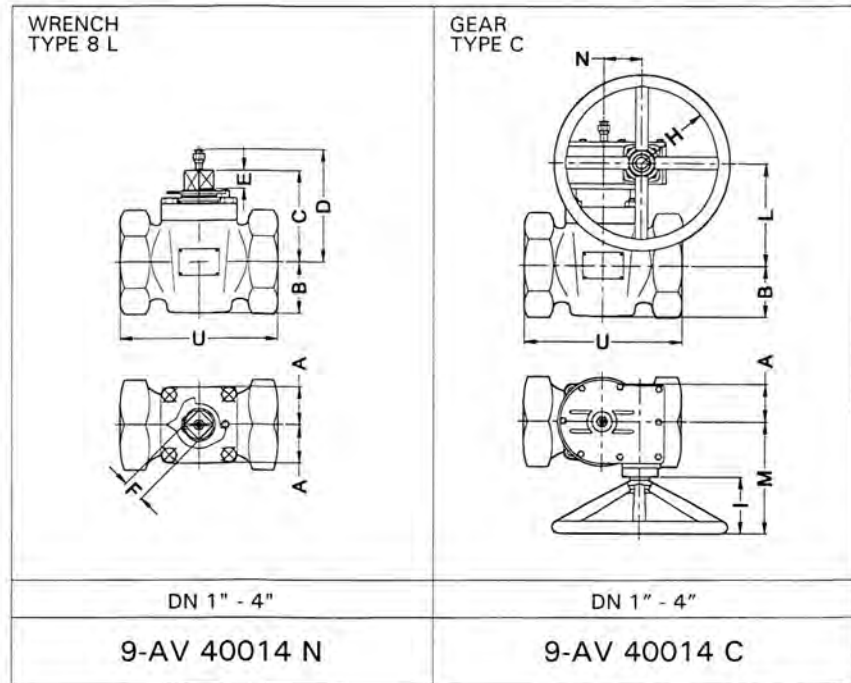




STRAIGHTWAY TAPER PLUG VALVES

CAST IRON CLASS 125
REGULAR PATTERN
RECTANGULAR PORT

Class	Max. CWP	Test Pressure	Pattern	Connections	Port	Materials		Operation
						Body & Cover	Plug	
125	200 Psi	Shell 300 Psi Seat 220 Psi	Straightway Regular	Screwed API 5B Table 2.1 or ASME B1.20.1	Rectangular	Cast Iron ASTM A 126 Class B	Cast Iron ASTM A 126 Class B	Manual



DN	A	B	C	D	E	F	H	I	L	M	N	U
1"	37	32	76	124	15	22	45	16	76	104	32	115
1 1/4"	37	40	86	134	17	22	45	16	83	104	32	130
1 1/2"	40	49	92	140	18	22	45	16	98	104	32	150
2"	46	55	102	162	21	24	150	101	110	181	47	160
2 1/2"	52	65	120	180	22	27	150	101	122	181	47	195
3"	62	74	135	195	24	30	150	101	134	181	47	220
4"	65	87	160	240	31	36	150	101	150	195	65	270