

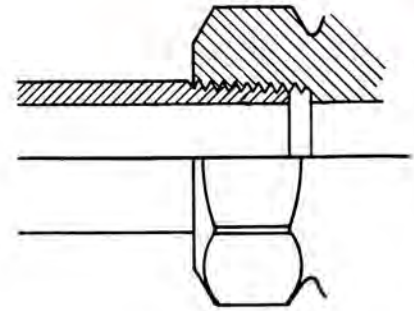


## TAPER PLUG VALVES

Connection

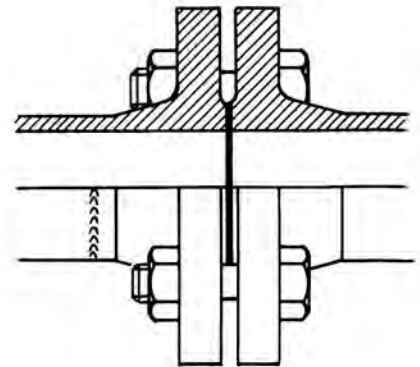
### Screwed Ends:

Designed in accordance with API Line Pipe threads (Taper) API Std. 5B Table 2.1 or ANSI Std. B1.20.1.  
Available in size 1/2" to 4".



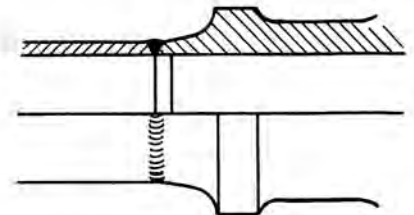
### Flanges:

Designed in accordance with the ANSI B16.5 standard, as indicated on the dimension sheets.  
Unless otherwise specified, all flanges are supplied with Raised Face.



### Butt Welding Ends:

For direct welding in the pipeline.  
Designed in accordance with ANSI B 16.25.



### Socket-Welding Ends:

For direct welding in the pipeline.  
Designed in accordance with ANSI B 16.11.  
Dimension, page F11.

