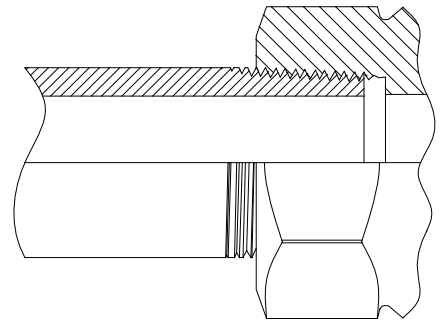




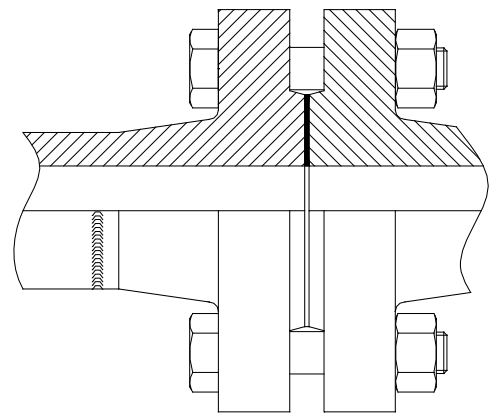
Screwed Ends:

Designed in accordance with API Line
Pipe threads (Taper) API Std. 5B
Table 2.1 or ASME Std. B1.20.1.
Available in size ½" to 4"



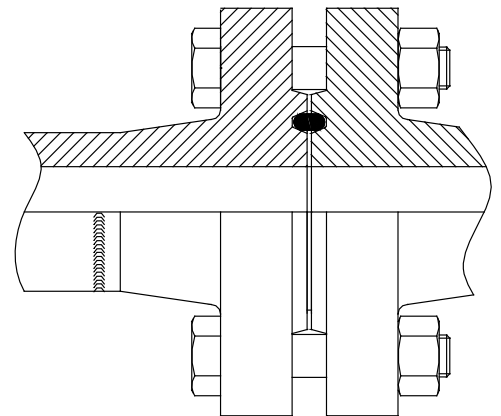
Flanges RF:

Designed in accordance with the ASME B16.5 Standard,
except that two or four of the bolt holes at the lower part of
the flange are threaded. See the dimensions page B1.



Flanges RJ:

Designed in accordance with the ASME B16.5 Standard,
except that two or four of the bolt holes at the lower part of
the flange are threaded. See the dimensions page B1.



Clamps/hubs:

Designed in accordance with the customer specified
clamps type (For instance grayloc, spo lock, destec,
techlok etc.)

