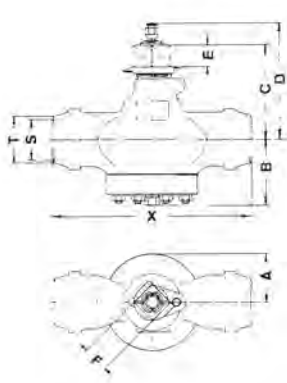
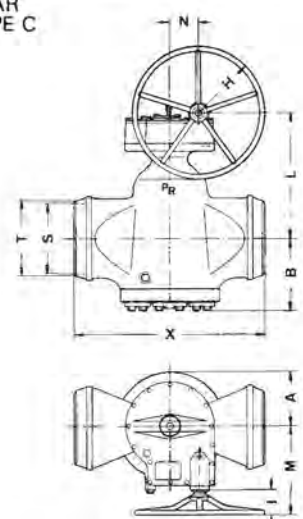
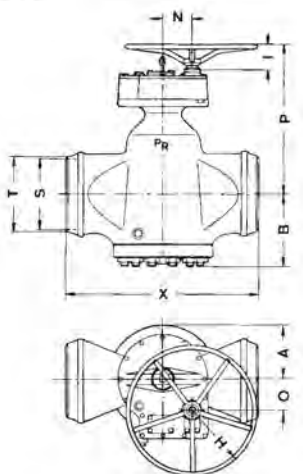




STRAIGHTWAY TAPER PLUG VALVES

CAST STEEL CLASS 2500
REGULAR PATTERN
RECTANGULAR PORT

Class	Max. CWP	Test Pressure	Pattern	Connections	Port	Materials		Operation
						Body & Cover	Plug	
2500	6170 Psi	Shell 9275 Psi Seat 6787 Psi	Straightway Regular	Welding Ends ASME B 16.25 End to End ASME B 16.10	Rectangular	Cast Steel ASTM A 216 Grade WCB Cover: EN 10025 S355J0 S355J2G3	Cast Iron ASTM A 126 Class B	Manual
							Steel	

	WRENCH TYPE 8 L	GEAR TYPE C	GEAR TYPE D
			
Plug	DN 1 1/2" - 3"	DN 1 1/2" - 12"	DN 3" - 12"
Cast Iron	5-AV 70594 N	5-AV 70594 C	5-AV 70594 D
Steel	5-AV 70597 N	5-AV 70597 C	5-AV 70597 D

DN	A	B	C	D	E	F	H	I	L	M	N	O	P	S	T	X
1 1/2"	53	96	137	170	32	36	150	101	128	181	47			Inside pipe dimension to be specified by purchaser.	50,3	384
2"	85	128	155	197	32	36	150	101	138	195	65				62,3	451
2 1/2"	100	145	183	237	42	50	150	101	154	195	65				75	508
3"	103	162	194	249	42	50	200	101	231	268	85	46	354		91	578
4"	122	202	223	283	47	55	200	101	256	268	85	46	380		117	673
6"	182	294					300	101	376	361	135	69	510		172	914
8"	218	370					300	101	421	400	160	108	555		223	1022
10"	278	394					350	101	448	423	175	130	582		278	1270
12"	323	499					350	101	573	483	196	192	707		329	1422