

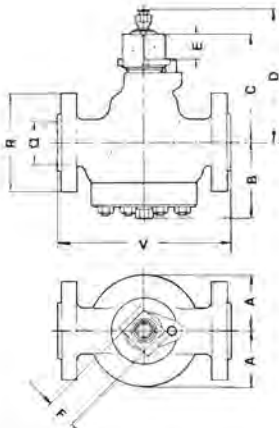
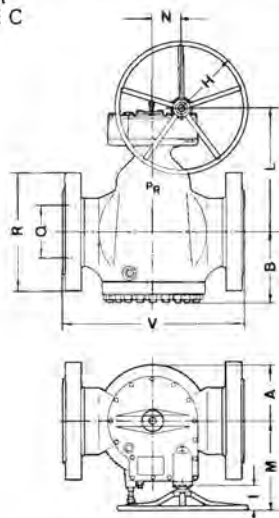
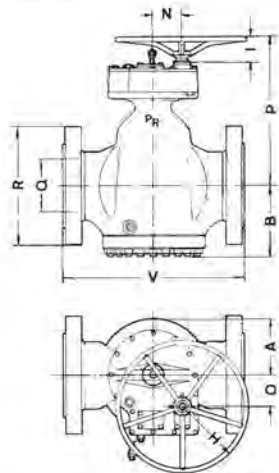


STRAIGHTWAY TAPER PLUG VALVES

CAST STEEL CLASS 900
REGULAR PATTERN
RECTANGULAR PORT FULL BORE

Class	Max. CWP	Test Pressure	Pattern	Connections	Port	Materials		Operation
						Body & Cover	Plug	
900	2220 Psi	Shell 3350 Psi Seat 2442 Psi	Straightway Regular	Flanges R.F. or R.J. ASME B 16.5 Face to Face ASME B 16.10	Rectangular Full bore **	Cast Steel ASTM A 216 Grade WCB Cover: EN 10025 S355J0 S355J2G3	Cast Iron ASTM A 126 Class B Steel	Manual

** 1/2", 3/4" and 1 1/4" Round port full bore.

	WRENCH TYPE 8 L	GEAR TYPE C	GEAR TYPE D
			
Plug	DN 1/2" - 3"	DN 1/2" - 20"	DN 3" - 20"
Cast Iron	5-AR 70174 N	5-AR 70174 C	5-AR 70174 D
Steel	5-AR 70177 N	5-AR 70177 C	5-AR 70177 D

DN	A	B	C	D	E	F	H	I	L	M	N	O	P	Q	R	V	V
1/2"	48	95	120	159	24	30	150	101	112	181	47			13	121	*216	*216
3/4"	48	94	121	160	24	30	150	101	113	181	47			17	130	*229	*229
1"	49	98	124	163	24	30	150	101	115	181	47			22	149	254	254
1 1/4"	64	104	130	169	24	30	150	101	121	181	47			29	159	279	279
1 1/2"	64	115	145	185	24	30	150	101	136	181	47			35	178	305	305
2"	85	149	186	241	42	50	150	101	157	195	71			48	216	368	371
2 1/2"	95	169	202	256	42	50	150	101	172	195	71			57	245	419	422
3"	100	173	225	285	47	55	200	101	257	268	85	46	381	73	241	381	384
4"	125	199	271	334	51	65	200	101	295	268	85	46	419	98	292	*457	*460
6"	158	271					300	101	358	293	95	70	482	146	381	610	613
8"	200	314					300	101	462	400	160	108	596	191	470	737	740
10"	250	353					350	101	546	423	175	130	680	238	546	838	841
12"	302	425					350	101	609	460	176	168	743	283	610	965	968
14"	316	470					450	101	660	501	200	210	792	311	641	*1029	*1038
16"	370	530					450	101	711	568	246	279	845	356	705	*1130	*1140
18"	410	590					450	101	899	660	299	270	1051	400	787	*1219	*1232
20"	460	640					550	111	1099	725	311	297	1259	445	857	*1321	*1334

Note: * Not included in the standards.