

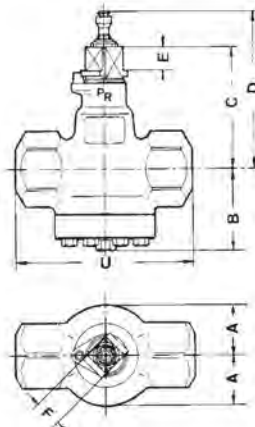
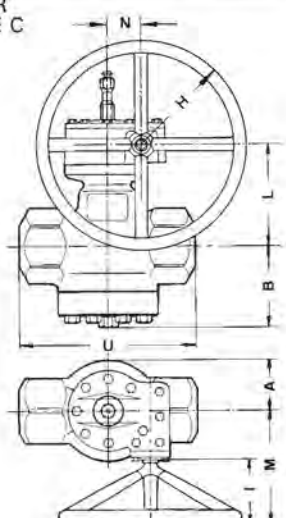


STRAIGHTWAY TAPER PLUG VALVES

CAST STEEL CLASS 150
REGULAR PATTERN
RECTANGULAR PORT FULL BORE

| Class | Max. CWP | Test Pressure | Pattern | Connections | Port | Materials | | Operation |
|-------|----------|-------------------------------------|------------------------|--|--------------------------------|--|------------------------------------|-----------|
| | | | | | | Body & Cover | Plug | |
| 150 | 285 Psi | Shell 450 Psi Seat 315 Psi | Straightway Regular | Screwed API 5B table 2.1 or ASME B1.20.1 | Rectangular Full bore ** | Cast Steel ASTM A 216 Grade WCB | Cast Iron ASTM A 126 Class B | Manual |
| | | | | | | Cover: EN 10025 S355J0 S355J2G3 | Steel | |

** 1/2" and 3/4" Round port full bore.

| | WRENCH TYPE 8 K | GEAR TYPE C |
|-----------|--|--|
| |  |  |
| Plug | DN 1/2" - 4" | DN 1/2" - 4" |
| Cast Iron | 5-AR 70024 N | 5-AR 70024 C |
| Steel | 5-AR 70027 N | 5-AR 70027 C |

| DN | A | B | C | D | E | F | H | I | L | M | N | U |
|--------|-----|-----|-----|-----|----|----|-----|-----|-----|-----|----|-----|
| 1/2" | 48 | 83 | 120 | 160 | 24 | 30 | 45 | 16 | 94 | 104 | 32 | 115 |
| 3/4" | 48 | 82 | 121 | 161 | 24 | 30 | 45 | 16 | 94 | 104 | 32 | 115 |
| 1" | 40 | 86 | 123 | 163 | 24 | 30 | 45 | 16 | 97 | 104 | 32 | 115 |
| 1 1/4" | 44 | 97 | 128 | 168 | 24 | 30 | 45 | 16 | 101 | 104 | 32 | 130 |
| 1 1/2" | 60 | 102 | 144 | 185 | 24 | 30 | 150 | 101 | 137 | 181 | 47 | 150 |
| 2" | 71 | 115 | 171 | 225 | 32 | 36 | 150 | 101 | 155 | 181 | 47 | 165 |
| 2 1/2" | 83 | 148 | 196 | 252 | 42 | 50 | 150 | 101 | 168 | 181 | 47 | 195 |
| 3" | 92 | 164 | 224 | 285 | 47 | 55 | 150 | 101 | 192 | 195 | 65 | 220 |
| 4" | 114 | 180 | 262 | 327 | 51 | 65 | 150 | 101 | 224 | 195 | 65 | 270 |