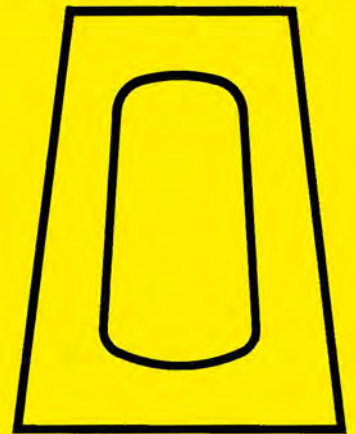




TAPER PLUG VALVES

Valves for petroleum
derivatives, gases,
chemicals and water





STRAIGHTWAY TAPER PLUG VALVES

CAST STEEL CLASS 900
REGULAR PATTERN
RECTANGULAR PORT FULL BORE

Class	Max. CWP	Test Pressure	Pattern	Connections	Port	Materials		Operation
						Body & Cover	Plug	
900	2220 Psi	Shell 3350 Psi Seat 2442 Psi	Straightway Regular	Screwed API 5B table 2.1 or ASME B1.20.1	Rectangular Full bore **	Cast Steel ASTM A 216 Grade WCB Cover: EN 10025 S355J0 S355J2G3	Cast Iron ASTM A 126 Class B Steel	Manual

** 1/2", 3/4" and 1 1/4" Round port full bore.

	WRENCH TYPE 8 L	GEAR TYPE C
Plug	DN 1/2" - 3"	DN 1/2" - 4"
Cast Iron	5-AR 70074 N	5-AR 70074 C
Steel	5-AR 70077 N	5-AR 70077 C

DN	A	B	C	D	E	F	H	I	L	M	N	U
1/2"	48	95	120	159	24	30	150	101	112	181	47	116
3/4"	48	94	121	160	24	30	150	101	113	181	47	116
1"	49	98	124	163	24	30	150	101	115	181	47	149
1 1/4"	64	104	130	169	24	30	150	101	121	181	47	160
1 1/2"	64	115	145	185	24	30	150	101	136	181	47	181
2"	85	149	186	241	42	50	150	101	157	195	71	216
2 1/2"	85	169	202	256	42	50	150	101	172	195	71	251
3"	100	173	225	285	47	55	200	101	257	268	85	284
4"	125	199	271	334	51	65	200	101	295	268	85	326

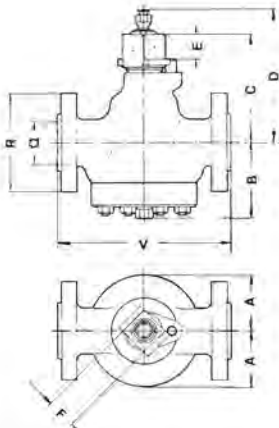
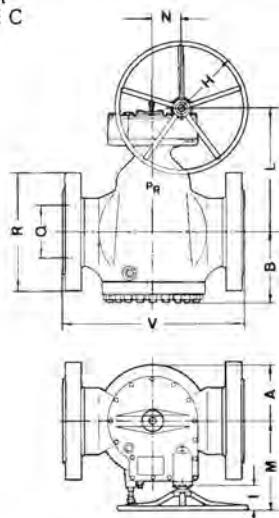
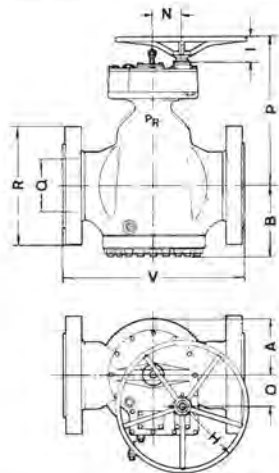


STRAIGHTWAY TAPER PLUG VALVES

CAST STEEL CLASS 900
REGULAR PATTERN
RECTANGULAR PORT FULL BORE

Class	Max. CWP	Test Pressure	Pattern	Connections	Port	Materials		Operation
						Body & Cover	Plug	
900	2220 Psi	Shell 3350 Psi Seat 2442 Psi	Straightway Regular	Flanges R.F. or R.J. ASME B 16.5 Face to Face ASME B 16.10	Rectangular Full bore **	Cast Steel ASTM A 216 Grade WCB Cover: EN 10025 S355J0 S355J2G3	Cast Iron ASTM A 126 Class B Steel	Manual

** 1/2", 3/4" and 1 1/4" Round port full bore.

	WRENCH TYPE 8 L	GEAR TYPE C	GEAR TYPE D
			
Plug	DN 1/2" - 3"	DN 1/2" - 20"	DN 3" - 20"
Cast Iron	5-AR 70174 N	5-AR 70174 C	5-AR 70174 D
Steel	5-AR 70177 N	5-AR 70177 C	5-AR 70177 D

DN	A	B	C	D	E	F	H	I	L	M	N	O	P	Q	R	V	V
1/2"	48	95	120	159	24	30	150	101	112	181	47			13	121	*216	*216
3/4"	48	94	121	160	24	30	150	101	113	181	47			17	130	*229	*229
1"	49	98	124	163	24	30	150	101	115	181	47			22	149	254	254
1 1/4"	64	104	130	169	24	30	150	101	121	181	47			29	159	279	279
1 1/2"	64	115	145	185	24	30	150	101	136	181	47			35	178	305	305
2"	85	149	186	241	42	50	150	101	157	195	71			48	216	368	371
2 1/2"	95	169	202	256	42	50	150	101	172	195	71			57	245	419	422
3"	100	173	225	285	47	55	200	101	257	268	85	46	381	73	241	381	384
4"	125	199	271	334	51	65	200	101	295	268	85	46	419	98	292	*457	*460
6"	158	271					300	101	358	293	95	70	482	146	381	610	613
8"	200	314					300	101	462	400	160	108	596	191	470	737	740
10"	250	353					350	101	546	423	175	130	680	238	546	838	841
12"	302	425					350	101	609	460	176	168	743	283	610	965	968
14"	316	470					450	101	660	501	200	210	792	311	641	*1029	*1038
16"	370	530					450	101	711	568	246	279	845	356	705	*1130	*1140
18"	410	590					450	101	899	660	299	270	1051	400	787	*1219	*1232
20"	460	640					550	111	1099	725	311	297	1259	445	857	*1321	*1334

Note: * Not included in the standards.



STRAIGHTWAY TAPER PLUG VALVES

CAST STEEL CLASS 900
REGULAR PATTERN
RECTANGULAR PORT FULL BORE

Class	Max. CWP	Test Pressure	Pattern	Connections	Port	Materials		Operation
						Body & Cover	Plug	
900	2220 Psi	Shell 3350 Psi Seat 2442 Psi	Straightway Regular	Welding Ends ASME B 16.25 End to End ASME B 16.10	Rectangular Full bore **	Cast Steel ASTM A 216 Grade WCB Cover: EN 10025 S355J0 S355J2G3	Cast Iron ASTM A 126 Class B Steel	Manual

** 1/2", 3/4" and 1 1/4" Round port full bore.

	WRENCH TYPE B L	GEAR TYPE C	GEAR TYPE D
Plug	DN 1/2" - 3"	DN 1/2" - 20"	DN 3" - 20"
Cast Iron	5-AR 70574 N	5-AR 70574 C	5-AR 70574 D
Steel	5-AR 70577 N	5-AR 70577 C	5-AR 70577 D

DN	A	B	C	D	E	F	H	I	L	M	N	O	P	S	T	X
1/2"	48	95	120	159	24	30	150	101	112	181	47			Inside pipe dimension to be specified by purchaser.	23,3	*216
3/4"	48	94	121	160	24	30	150	101	113	181	47				28,7	*229
1"	49	98	124	163	24	30	150	101	115	181	47				35,4	254
1 1/4"	64	104	130	169	24	30	150	101	121	181	47				44,2	279
1 1/2"	64	115	145	185	24	30	150	101	136	181	47				50,3	305
2"	85	149	186	241	42	50	150	101	157	195	71				62,3	368
2 1/2"	95	169	202	256	42	50	150	101	172	195	71				75	419
3"	100	173	225	285	47	55	200	101	257	268	85	46	381		91	381
4"	125	199	271	334	51	65	200	101	295	268	85	46	419		117	*457
6"	158	271					300	101	358	293	95	70	482		172	610
8"	200	314					300	101	462	400	160	108	596		223	737
10"	250	353					350	101	546	423	175	130	680		278	838
12"	302	425					350	101	609	460	176	168	743		329	965
14"	316	470					450	101	660	501	200	210	792		362	*1029
16"	370	530					450	101	711	568	246	279	845		413	*1130
18"	410	590					450	101	899	660	299	270	1051		464	*1219
20"	460	640					550	111	1099	725	311	297	1259	516	*1321	

Note: * Not included in the standards.



STRAIGHTWAY TAPER PLUG VALVES

CAST STEEL CLASS 900
REGULAR PATTERN
RECTANGULAR PORT

Class	Max. CWP	Test Pressure	Pattern	Connections	Port	Materials		Operation
						Body & Cover	Plug	
900	2220 Psi	Shell 3350 Psi Seat 2442 Psi	Straightway Regular	Flanges R.F. or R.J. ASME B 16.5 Face to Face ASME B 16.10	Rectangular	Cast Steel ASTM A 216 Grade WCB Cover: EN 10025 S355J0 S355J2G3	Cast Iron ASTM A 126 Class B	Manual
							Steel	

	WRENCH TYPE 8 L	GEAR TYPE C	GEAR TYPE D
Plug	DN 1 1/2" - 3"	DN 1 1/2" - 20"	DN 4" - 20"
Cast Iron	5-AV 70174 N	5-AV 70174 C	5-AV 70174 D
Steel	5-AV 70177 N	5-AV 70177 C	5-AV 70177 D

DN	A	B	C	D	E	F	H	I	L	M	N	O	P	Q	R	V	V
1 1/2"	64	104	130	162	24	30	150	101	122	181	47			35	178	305	305
2"	64	115	145	188	24	30	150	101	137	181	47			48	216	368	371
2 1/2"	85	149	186	229	42	50	150	101	158	195	71			57	244	419	422
3"	95	164	204	256	42	50	150	101	173	195	71			73	241	381	384
4"	105	170	239	329	47	55	200	101	260	268	85	46	383	98	292	*457	*460
6"	150	215					300	101	336	293	95	70	460	146	381	610	613
8"	178	277					300	101	437	361	135	69	571	191	470	737	740
10"	217	325					300	101	467	400	160	108	601	238	546	838	841
12"	250	353					350	101	544	423	175	130	678	282	610	965	968
14"	278	378					350	101	568	423	175	130	702	311	641	*1029	*1038
16"	302	422					350	101	608	460	176	168	742	356	705	*1130	*1140
18"	341	490					450	101	676	501	200	210	810	400	787	*1219	*1232
20"	404	600					450	101	721	568	246	279	855	445	857	*1321	*1334

Note: * Not included in the standards.

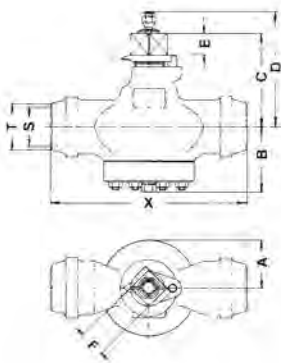


STRAIGHTWAY TAPER PLUG VALVES

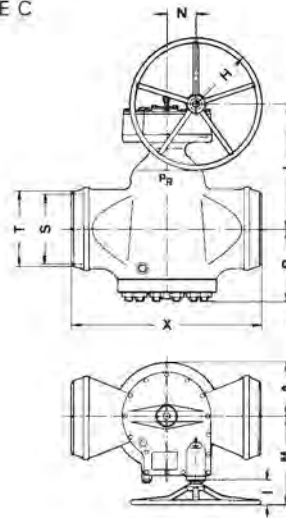
CAST STEEL CLASS 900
REGULAR PATTERN
RECTANGULAR PORT

Class	Max. CWP	Test Pressure	Pattern	Connections	Port	Materials		Operation
						Body & Cover	Plug	
900	2220 Psi	Shell 3350 Psi Seat 2442 Psi	Straightway Regular	Welding Ends ASME B 16.25 Face to Face ASME B 16.10	Rectangular	Cast Steel ASTM A 216 Grade WCB Cover: EN 10025 S355J0 S355J2G3	Cast Iron ASTM A 126 Class B	Manual
							Steel	

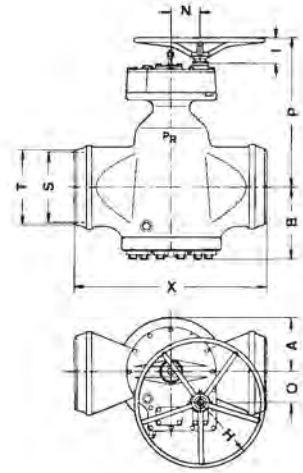
WRENCH
TYPE 8 L



GEAR
TYPE C



GEAR
TYPE D



Plug	DN 1 1/2" - 3"	DN 1 1/2" - 20"	DN 4" - 20"
Cast Iron	5-AV 70574 N	5-AV 70574 C	5-AV 70574 D
Steel	5-AV 70577 N	5-AV 70577 C	5-AV 70577 D

DN	A	B	C	D	E	F	H	I	L	M	N	O	P	S	T	X
1 1/2"	64	104	130	162	24	30	150	101	122	181	47			Inside pipe dimension to be specified by purchaser.	*50,3	305
2"	64	115	145	188	24	30	150	101	137	181	47				*62,3	368
2 1/2"	85	149	186	229	42	50	150	101	158	195	71				75	419
3"	95	164	204	256	42	50	150	101	173	195	71				91	381
4"	105	170	239	329	47	55	200	101	260	268	85	46	383		117	*457
6"	150	215					300	101	336	293	95	70	460		172	610
8"	178	277					300	101	437	361	135	69	571		223	737
10"	217	325					300	101	467	400	160	108	601		278	838
12"	250	353					350	101	544	423	175	130	678		329	965
14"	278	378					350	101	568	423	175	130	702		362	*1029
16"	302	422					350	101	608	460	176	168	742		413	*1130
18"	341	490					450	101	676	501	200	210	810		464	*1219
20"	404	600					450	101	721	568	246	279	855		516	*1321

Note: * Not included in the standards.



STRAIGHTWAY TAPER PLUG VALVES

CAST STEEL CLASS 900
VENTURI PATTERN
RECTANGULAR PORT

Class	Max. CWP	Test Pressure	Pattern	Connections	Port	Materials		Operation
						Body & Cover	Plug	
900	2220 Psi	Shell 3350 Psi Seat 2442 Psi	Straightway Venturi	Flanges R.F. or R.J. ASME B 16.5 Face to Face ASME B 16.10	Rectangular	Cast Steel ASTM A 216 Grade WCB Cover: EN 10025 S355J0 S355J2G3	Cast Iron ASTM A 126 Class B Steel	Manual

	WRENCH TYPE 8 L	GEAR TYPE C	GEAR TYPE D
Plug	DN 1 1/2" - 4"	DN 1 1/2" - 24"	DN 4" - 24"
Cast Iron	5-AT 70174 N	5-AT 70174 C	5-AT 70174 D
Steel	5-AT 70177 N	5-AT 70177 C	5-AT 70177 D

DN	A	B	C	D	E	F	H	I	L	M	N	O	P	Q	R	V	V
1 1/2"	64	104	130	162	24	30	150	101	122	181	47			35	178	*305	*305
2"	64	115	145	177	24	30	150	101	137	181	47			48	216	*368	*371
2 1/2"	85	149	186	229	42	50	150	101	158	195	71			57	245	*419	*422
3"	95	169	202	245	42	50	150	101	173	195	71			73	241	*381	*384
4"	100	173	225	275	47	55	200	101	258	268	85			98	292	457	460
6"	114	211					200	101	302	268	85	46	424	146	381	610	613
8"	145	284					300	101	350	293	95	70	473	191	470	737	740
10"	157	290					300	101	435	361	135	69	569	238	546	838	841
12"	184	331					300	101	504	400	160	108	638	283	610	965	968
14"	192	353					300	101	510	400	160	108	644	311	641	*1029	*1038
16"	223	384					350	101	584	423	175	130	718	356	705	1130	1140
18"	238	407					350	101	597	423	175	130	731	400	787	*1219	*1232
20"	273	471					350	101	638	460	176	168	772	445	857	1321	1334
24"	310	535					350	101	760	483	196	192	894	533	1041	*1549	*1569

Note: * Not included in the standards.



STRAIGHTWAY TAPER PLUG VALVES

CAST STEEL CLASS 900
VENTURI PATTERN
RECTANGULAR PORT

Class	Max. CWP	Test Pressure	Pattern	Connections	Port	Materials		Operation
						Body & Cover	Plug	
900	2220 Psi	Shell 3350 Psi Seat 2442 Psi	Straightway Venturi	Welding Ends ASME B 16.25 End to End ASME B 16.10	Rectangular	Cast Steel ASTM A 216 Grade WCB Cover: EN 10025 S355J0 S355J2G3	Cast Iron ASTM A 126 Class B	Manual
							Steel	

	WRENCH TYPE 8 L	GEAR TYPE C	GEAR TYPE D
Plug	DN 1 1/2" - 4"	DN 1 1/2" - 24"	DN 4" - 24"
Cast Iron	5-AT 70574 N	5-AT 70574 C	5-AT 70574 D
Steel	5-AT 70577 N	5-AT 70577 C	5-AT 70577 D

DN	A	B	C	D	E	F	H	I	L	M	N	O	P	S	T	X
1 1/2"	64	104	130	162	24	30	150	101	122	181	47			Inside pipe dimension to be specified by purchaser.	*50,3	*305
2"	64	115	145	177	24	30	150	101	137	181	47				*62,3	*368
2 1/2"	85	149	186	229	42	50	150	101	158	195	71				75	*419
3"	95	169	202	245	42	50	150	101	173	195	71				91	*381
4"	100	173	225	275	47	55	200	101	258	268	85				117	457
6"	114	211					200	101	302	268	85	46	424		172	610
8"	145	284					300	101	350	293	95	70	473		223	737
10"	157	290					300	101	435	361	135	69	569		278	838
12"	184	331					300	101	504	400	160	108	638		329	965
14"	192	353					300	101	510	400	160	108	644		362	*1029
16"	223	384					350	101	584	423	175	130	718		413	1130
18"	238	407					350	101	597	423	175	130	731		464	*1219
20"	273	471					350	101	638	460	176	168	772		516	1321
24"	310	535					350	101	760	483	196	192	894		619	*1549

Note: * Not included in the standards.