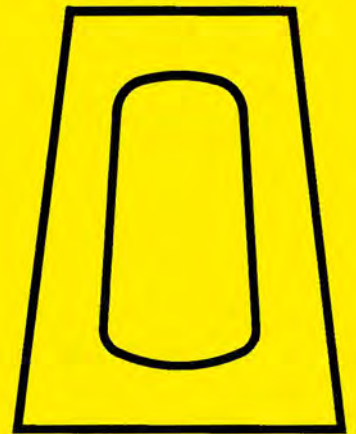




TAPER PLUG VALVES

Valves for petroleum
derivatives, gases,
chemicals and water





STRAIGHTWAY TAPER PLUG VALVES

CAST STEEL CLASS 2500
REGULAR PATTERN
RECTANGULAR PORT FULL BORE

Class	Max. CWP	Test Pressure	Pattern	Connections	Port	Materials		Operation
						Body & Cover	Plug	
2500	6170 Psi	Shell 9275 Psi Seat 6787 Psi	Straightway Regular	Screwed API 5B table 2.1 or ASME B1.20.1	Rectangular Full bore **	Cast Steel ASTM A 216 Grade WCB Cover: EN 10025 S355J0 S355J2G3	Cast Iron ASTM A 126 Class B Steel	Manual

** 1/2" and 3/4" Round port full bore.

	WRENCH TYPE 8 L	GEAR TYPE C
Diagram		
Plug	DN 1/2" - 3"	DN 1/2" - 3"
Cast Iron	5-AR 70094 N	5-AR 70094 C
Steel	5-AR 70097 N	5-AR 70097 C

DN	A	B	C	D	E	F	H	I	L	M	N	U
1/2"	50	86	121	161	24	30	150	101	112	181	47	116
3/4"	50	86	121	161	24	30	150	101	112	181	47	116
1"	53	90	124	164	24	30	150	101	115	181	47	149
1 1/4"	53	96	137	178	32	36	150	101	128	181	47	165
1 1/2"	85	128	155	196	32	36	150	101	138	195	65	181
2"	86	164	191	246	42	50	150	101	157	195	71	216
2 1/2"	103	164	194	250	42	50	200	101	230	268	85	251
3"	122	193	223	278	47	55	200	101	256	268	85	284



STRAIGHTWAY TAPER PLUG VALVES

CAST STEEL CLASS 2500
REGULAR PATTERN
RECTANGULAR PORT FULL BORE

Class	Max. CWP	Test Pressure	Pattern	Connections	Port	Materials		Operation
						Body & Cover	Plug	
2500	6170 Psi	Shell 9275 Psi Seat 6787 Psi	Straightway Regular	Flanges R.F. or R.J. ASME B 16.5 Face to Face ASME B 16.10	Rectangular Full bore **	Cast Steel ASTM A 216 Grade WCB Cover: EN 10025 S355J0 S355J2G3	Cast Iron ASTM A 126 Class B	Manual
							Steel	

** 1/2" and 3/4" Round port full bore.

	WRENCH TYPE 8 L	GEAR TYPE C	GEAR TYPE D
Plug	DN 1/2" - 3"	DN 1/2" - 12"	DN 2 1/2" - 12"
Cast Iron	5-AR 70194 N	5-AR 70194 C	5-AR 70194 D
Steel	5-AR 70197 N	5-AR 70197 C	5-AR 70197 D

DN	A	B	C	D	E	F	H	I	L	M	N	O	P	Q	R	V	V
1/2"	50	86	121	161	24	30	150	101	112	181	47			11	133	*264	*264
3/4"	50	86	121	161	24	30	150	101	112	181	47			14	140	*273	*273
1"	53	90	124	164	24	30	150	101	115	181	47			19	159	308	308
1 1/4"	53	96	137	178	32	36	150	101	128	181	47			25	184	*349	*352
1 1/2"	85	128	155	196	32	36	150	101	138	195	65			29	203	384	387
2"	86	164	191	246	42	50	150	101	157	195	71			38	235	451	454
2 1/2"	103	164	194	250	42	50	200	101	230	268	85	46	352	48	267	508	514
3"	122	193	223	278	47	55	200	101	256	268	85	46	379	57	305	578	584
4"	138	226	265	328	51	65	300	101	298	293	95	70	422	73	356	673	683
6"	218	370					300	101	420	400	160	108	554	111	483	914	927
8"	278	392					350	101	447	423	175	130	581	146	553	1022	1038
10"	323	497					350	101	572	483	196	192	706	184	673	1270	1292
12"	385	587					450	101	608	501	200	210	742	219	762	1422	1445

Note: * Not included in the standards.



STRAIGHTWAY TAPER PLUG VALVES

CAST STEEL CLASS 2500
REGULAR PATTERN
RECTANGULAR PORT FULL BORE

Class	Max. CWP	Test Pressure	Pattern	Connections	Port	Materials		Operation
						Body & Cover	Plug	
2500	6170 Psi	Shell 9275 Psi Seat 6787 Psi	Straightway Regular	Welding Ends ASME B 16.25 End to End ASME B 16.10	Rectangular Full bore **	Cast Steel ASTM A 216 Grade WCB	Cast Iron ASTM A 126 Class B	Manual
						Cover: EN 10025 S355J0 S355J2G3	Steel	

** 1/2" and 3/4" Round port full bore.

	WRENCH TYPE 8 L	GEAR TYPE C	GEAR TYPE D
Plug	DN 1/2" - 3"	DN 1/2" - 12"	DN 2 1/2" - 12"
Cast Iron	5-AR 70594 N	5-AR 70594 C	5-AR 70594 D
Steel	5-AR 70597 N	5-AR 70597 C	5-AR 70597 D

DN	A	B	C	D	E	F	H	I	L	M	N	O	P	S	T	X
1/2"	50	86	121	161	24	30	150	101	112	181	47			Inside pipe dimension to be specified by purchaser.	23,3	*264
3/4"	50	86	121	161	24	30	150	101	112	181	47				28,7	*273
1"	53	90	124	164	24	30	150	101	115	181	47				35,4	308
1 1/4"	53	96	137	178	32	36	150	101	128	181	47				44,2	*349
1 1/2"	85	128	155	196	32	36	150	101	138	195	65				50,3	384
2"	86	164	191	246	42	50	150	101	157	195	71				62,3	451
2 1/2"	103	164	194	250	42	50	200	101	230	268	85	46	352		75	508
3"	122	193	223	278	47	55	200	101	256	268	85	46	379		91	578
4"	138	226	265	328	51	65	300	101	298	293	95	70	422		117	673
6"	218	370					300	101	420	400	160	108	554		172	914
8"	278	392					350	101	447	423	175	130	581		223	1022
10"	323	497					350	101	572	483	196	192	706		278	1270
12"	385	587					450	101	608	501	200	210	742	329	1422	

Note: * Not included in the standards.



STRAIGHTWAY TAPER PLUG VALVES

CAST STEEL CLASS 2500
REGULAR PATTERN
RECTANGULAR PORT

Class	Max. CWP	Test Pressure	Pattern	Connections	Port	Materials		Operation
						Body & Cover	Plug	
2500	6170 Psi	Shell 9275 Psi Seat 6787 Psi	Straightway Regular	Flanges R.F. or R.J. ASME B 16.5 Face to Face ASME B 16.10	Rectangular	Cast Steel ASTM A 216 Grade WCB Cover: EN 10025 S355J0 S355J2G3	Cast Iron ASTM A 126 Class B	Manual
							Steel	

	WRENCH TYPE 8 L	GEAR TYPE C	GEAR TYPE D
Plug	DN 1 1/2" - 3"	DN 1 1/2" - 12"	DN 3" - 12"
Cast Iron	5-AV 70194 N	5-AV 70194 C	5-AV 70194 D
Steel	5-AV 70197 N	5-AV 70197 C	5-AV 70197 D

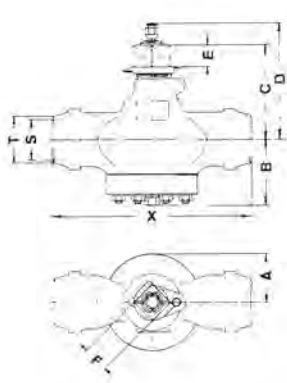
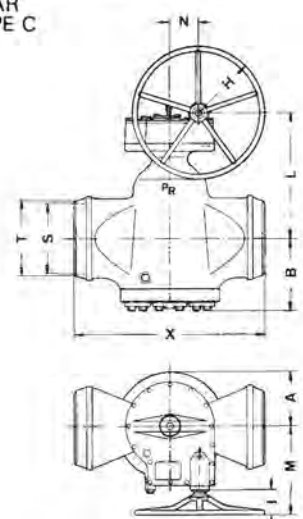
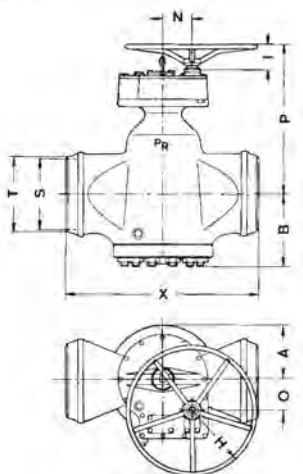
DN	A	B	C	D	E	F	H	I	L	M	N	O	P	Q	R	V	V	Raised Face	Ring Joint
1 1/2"	53	96	137	170	32	36	150	101	128	181	47			28	203	384	387		
2"	85	128	155	197	32	36	150	101	138	195	65			38	235	451	454		
2 1/2"	100	145	183	237	42	50	150	101	154	195	65			48	267	508	514		
3"	103	162	194	245	42	50	200	101	231	268	85	46	354	57	305	578	584		
4"	122	202	223	283	47	55	200	101	256	268	85	46	380	73	356	673	682		
6"	182	294					300	101	376	361	135	69	510	111	483	914	927		
8"	218	370					300	101	421	400	160	108	555	146	552	1022	1038		
10"	278	394					350	101	448	423	175	130	582	184	673	1270	1292		
12"	323	499					350	101	573	483	196	192	707	219	762	1422	1445		



STRAIGHTWAY TAPER PLUG VALVES

CAST STEEL CLASS 2500
REGULAR PATTERN
RECTANGULAR PORT

Class	Max. CWP	Test Pressure	Pattern	Connections	Port	Materials		Operation
						Body & Cover	Plug	
2500	6170 Psi	Shell 9275 Psi Seat 6787 Psi	Straightway Regular	Welding Ends ASME B 16.25 End to End ASME B 16.10	Rectangular	Cast Steel ASTM A 216 Grade WCB Cover: EN 10025 S355J0 S355J2G3	Cast Iron ASTM A 126 Class B	Manual
							Steel	

	WRENCH TYPE 8 L	GEAR TYPE C	GEAR TYPE D
			
Plug	DN 1 1/2" - 3"	DN 1 1/2" - 12"	DN 3" - 12"
Cast Iron	5-AV 70594 N	5-AV 70594 C	5-AV 70594 D
Steel	5-AV 70597 N	5-AV 70597 C	5-AV 70597 D

DN	A	B	C	D	E	F	H	I	L	M	N	O	P	S	T	X
1 1/2"	53	96	137	170	32	36	150	101	128	181	47			Inside pipe dimension to be specified by purchaser.	50,3	384
2"	85	128	155	197	32	36	150	101	138	195	65				62,3	451
2 1/2"	100	145	183	237	42	50	150	101	154	195	65				75	508
3"	103	162	194	249	42	50	200	101	231	268	85	46	354		91	578
4"	122	202	223	283	47	55	200	101	256	268	85	46	380		117	673
6"	182	294					300	101	376	361	135	69	510		172	914
8"	218	370					300	101	421	400	160	108	555		223	1022
10"	278	394					350	101	448	423	175	130	582		278	1270
12"	323	499					350	101	573	483	196	192	707		329	1422



STRAIGHTWAY TAPER PLUG VALVES

CAST STEEL CLASS 2500
VENTURI PATTERN
RECTANGULAR PORT

Class	Max. CWP	Test Pressure	Pattern	Connections	Port	Materials		Operation
						Body & Cover	Plug	
2500	6170 Psi	Shell 9275 Psi Seat 6787 Psi	Straightway Venturi	Flanges R.F. or R.J. ASME B 16.5 Face to Face ASME B 16.10 Regular Pattern	Rectangular	Cast Steel ASTM A 216 Grade WCB Cover: EN 10025 S355J0 S355J2G3	Cast Iron ASTM A 126 Class B Steel	Manual

	WRENCH TYPE 8 L	GEAR TYPE C	GEAR TYPE D
Plug	DN 1 1/2" - 3"	DN 1 1/2" - 12"	DN 3" - 12"
Cast Iron	5-AT 70194 N	5-AT 70194 C	5-AT 70194 D
Steel	5-AT 70197 N	5-AT 70197 C	5-AT 70197 D

DN	A	B	C	D	E	F	H	I	L	M	N	O	P	Q	R	V	V
1 1/2"	53	96	137	170	32	36	150	101	128	181	47			29	203	384	387
2"	85	128	155	187	32	36	150	101	138	195	65			38	235	451	454
2 1/2"	86	164	191	234	42	50	150	101	157	195	71			48	267	508	514
3"	103	164	194	237	42	50	200	101	230	268	85	46	352	57	305	578	584
4"	122	193	223	273	47	55	200	101	256	268	85	46	379	73	356	673	683
6"	146	280					300	101	313	293	95	70	435	111	483	914	927
8"	203	313					300	101	398	361	135	69	532	146	553	1022	1038
10"	229	318					300	101	452	400	160	108	586	184	673	1270	1292
12"	264	461					350	101	525	423	175	130	659	219	762	1422	1445



STRAIGHTWAY TAPER PLUG VALVES

CAST STEEL CLASS 2500
VENTURI PATTERN
RECTANGULAR PORT

Class	Max. CWP	Test Pressure	Pattern	Connections	Port	Materials		Operation
						Body & Cover	Plug	
2500	6170 Psi	Shell 9275 Psi Seat 6787 Psi	Straightway Venturi	Welding Ends ASME B 16.25 End to End ASME B 16.10 Regular Pattern	Rectangular	Cast Steel ASTM A 216 Grade WCB Cover: EN 10025 S355J0 S355J2G3	Cast Iron ASTM A 126 Class B Steel	Manual

	WRENCH TYPE 8 L	GEAR TYPE C	GEAR TYPE D
Plug	DN 1 1/2" - 3"	DN 1 1/2" - 20"	DN 3" - 20"
Cast Iron	5-AT 70594 N	5-AT 70594 C	5-AT 70594 D
Steel	5-AT 70597 N	5-AT 70597 C	5-AT 70597 D

DN	A	B	C	D	E	F	H	I	L	M	N	O	P	S	T	X
1 1/2"	53	96	137	170	32	36	150	101	128	181	47			Inside pipe dimension to be specified by purchaser.	50,3	384
2"	85	128	155	187	32	36	150	101	138	195	65				62,3	451
2 1/2"	86	164	191	234	42	50	150	101	157	195	71				75	508
3"	103	184	194	237	42	50	200	101	230	268	85	46	352		91	578
4"	122	193	223	273	47	55	200	101	256	268	85	46	379		117	673
6"	146	280					300	101	313	293	95	70	435		172	914
8"	203	313					300	101	398	361	135	69	532		223	1022
10"	229	318					300	101	452	400	160	108	586		278	1270
12"	264	461					350	101	525	423	175	130	659		329	1422
14"	275	474					350	101	529	460	176	168	663		362	1575
16"	306	504					350	101	594	483	196	192	728		413	1727
20"	346	581					450	101	646	501	200	210	780		516	2032