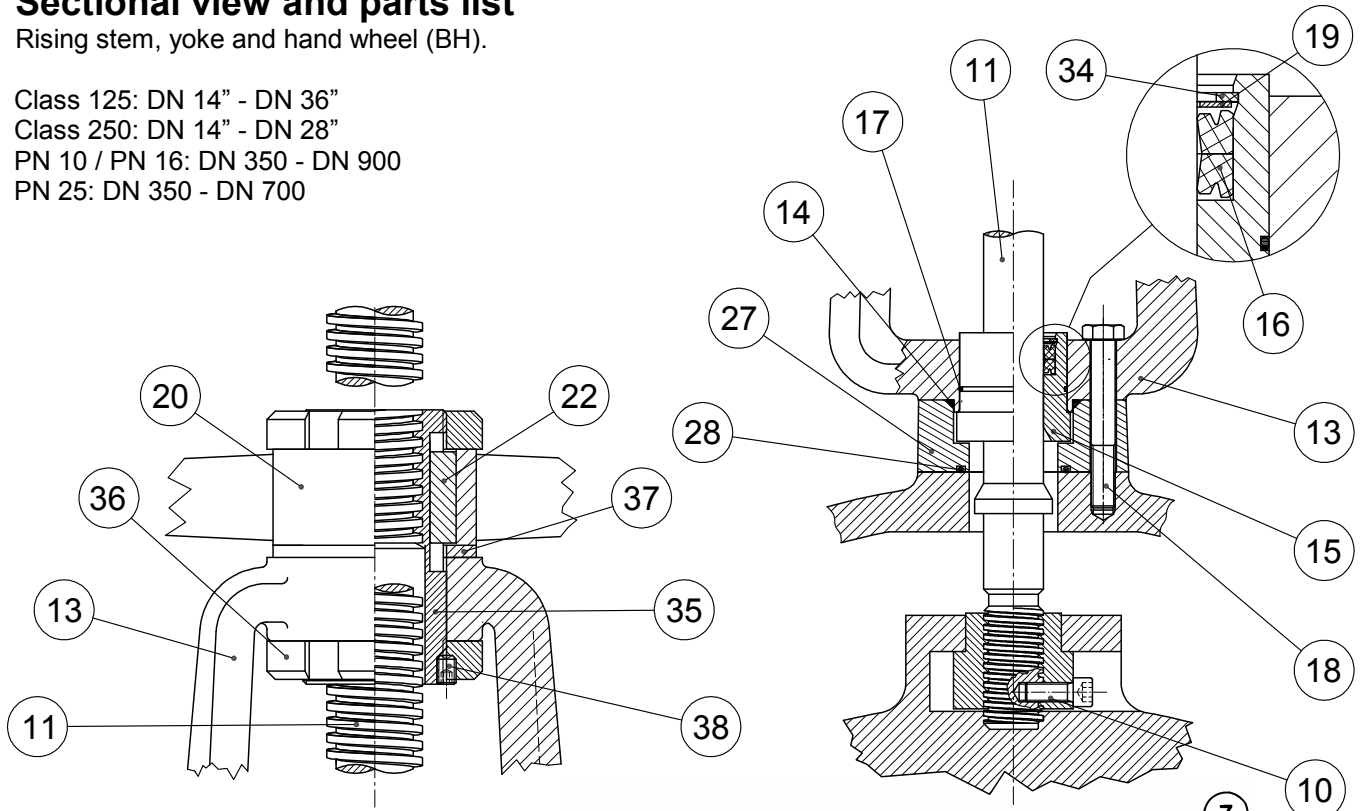


Sectional view and parts list

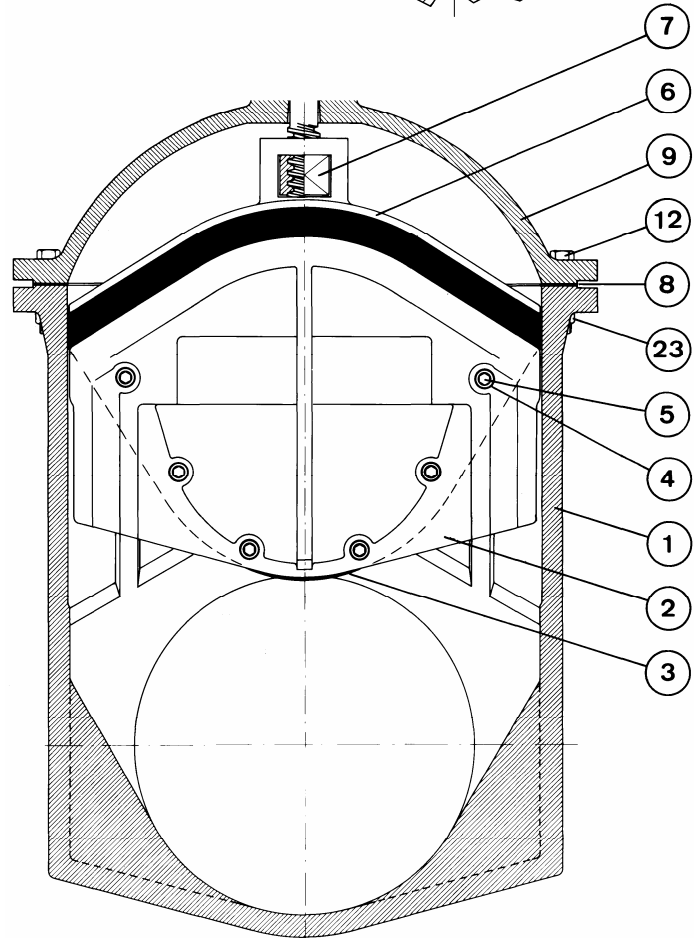
Rising stem, yoke and hand wheel (BH).

Class 125: DN 14" - DN 36"
 Class 250: DN 14" - DN 28"
 PN 10 / PN 16: DN 350 - DN 900
 PN 25: DN 350 - DN 700



Pos. Description

- 1 Body
- 2 Wedge (gate)
- 3 Rubber seal
- 4 Washer
- 5 Screw
- 6 Pressure piece
- 7 Stem nut
- 8 Gasket
- 9 Bonnet
- 10 Screw
- 11 Stem
- 12 Bolt
- 13 Yoke
- 14 O-ring
- 15 Bushing
- 16 U-cup seal
- 17 O-ring
- 18 Bolt
- 19 Washer
- 20 Hand wheel
- 22 Key
- 23 Nut
- 24 Washer (not shown)
- 25 Stud for ring nut (not shown)
- 26 Ring nut (not shown)
- 27 Stem guide*
- 28 O-ring*
- 29 Relieve plug (not shown)
- 34 Snap ring
- 35 Top stem nut
- 36 Nut
- 37 Bearing ring
- 38 Socket set screw



* DN 800 / 30" and DN 900 / 36" only.