

## Sectional view and parts list

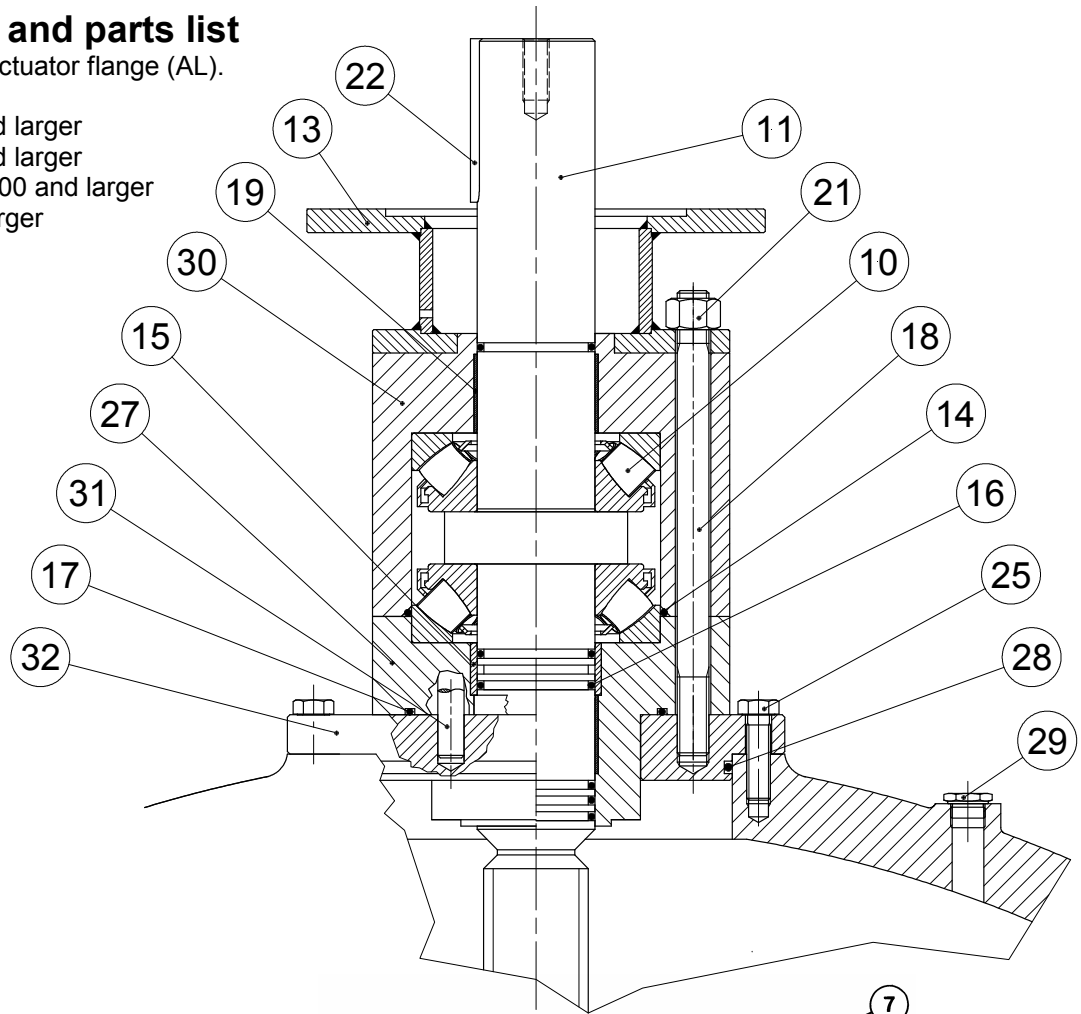
Non rising stem and actuator flange (AL).

Class 125: DN 42" and larger

Class 250: DN 30" and larger

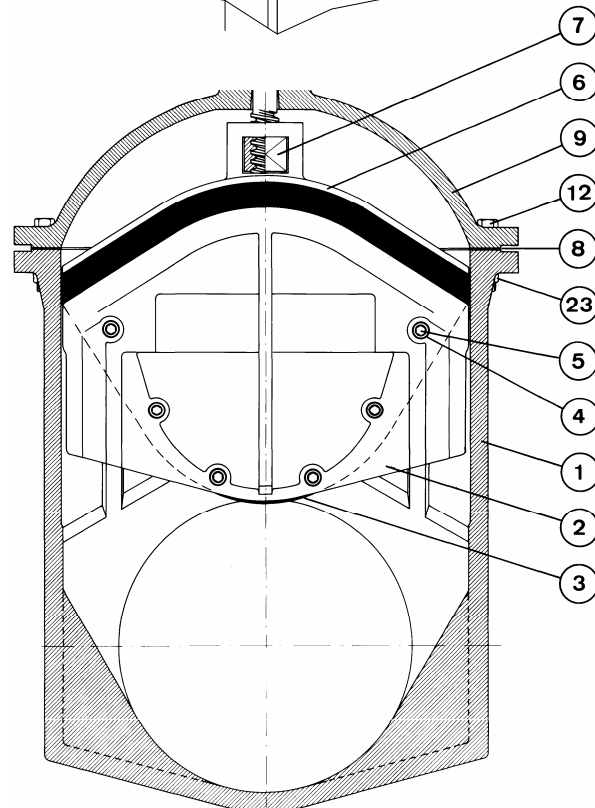
PN 10 / PN 16: DN 1000 and larger

PN 25: DN 800 and larger



### Pos. Description

- 1 Body
- 2 Wedge (gate)
- 3 Rubber seal
- 4 Washer
- 5 Screw
- 6 Pressure piece
- 7 Stem nut
- 8 Gasket
- 9 Bonnet
- 10 Roller bearing
- 11 Stem
- 12 Bolt
- 13 Top flange
- 14 O-ring
- 15 Bushing
- 16 O-ring
- 17 O-ring
- 18 Stud
- 19 Bearing
- 21 Nut
- 22 Key
- 23 Nut
- 24 Washer at pos. 32 (not shown)
- 25 Screw
- 27 Stem guide
- 28 O-ring\*
- 29 Relieve plug (some designs only)
- 30 Bearing housing
- 31 Dowel pin
- 32 Bonnet cover\*
- 33 Grease nipple (not shown)



\* DN 1400 / 54" and larger only.