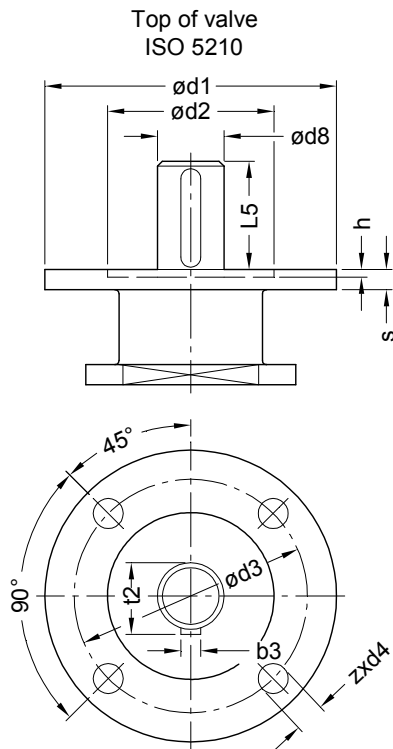
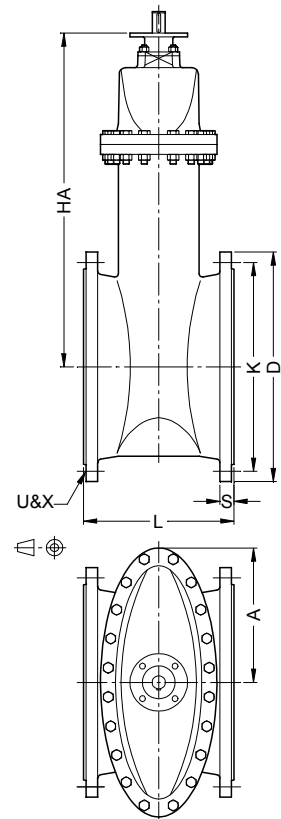


Class	Max. CWP	Test Pressure	Connections	Operation
PN 16	1600 kPa	Shell 2400 kPa Seat 1760 kPa	Flanges R.F. EN 1092-2 table 9 Face to Face EN 558-1 table 1, c14	Prepared for Actuator



DN	Torque Nm	No. of turns Open/Close
350	253	62
400	319	70
450	374	78
500	451	74
600	594	88
700	737	103
800	913	102
900	1100	103
1000	1282	117
1200	1738	102
1400	2840	119

Approximate operating torque and number of turns direct on stem.  
Valid for all PN 16 Seguro valves.  
The seating torque is 10% higher.



ISO 5210	$\phi d1$	$\phi d2$	$\phi d3$	$\phi d4$	h	s	z
F14	175	100	140	18	4,5	12	4
F16	210	130	165	22	5,5	16	4
F25	300	200	254	18	5,5	18	8
F30	350	230	298	22	5,5	18	8

Materials		Flange for multiturn actuator
Body	Seal	
Grey Iron	NBR	12-TF 1111AL
	EPDM	12-TF 1112AL
Ductile Iron	NBR	12-TF 1131AL
	EPDM	12-TF 1132AL

Due to constant development of our products, minor deviations in the design and non-standardized dimensions may occur.

DN	A	D	HA	K	L	S	U	UU	X	XX	b3	$\phi d8$	L5	t2	ISO 5210
350	311	520	788	470	290	36	16	4	28	M24	8	30	65	33,0	F14
400	351	580	873	525	310	38	16	4	31	M27	10	35	65	38,0	F14
450	371	640	956	585	330	40	20	4	31	M27	10	35	65	38,0	F14
500	409	715	1019	650	350	42	20	4	34	M30	12	40	65	43,0	F14
600	482	840	1208	770	390	48	20	6	37	M33	12	40	80	43,0	F16
700	506	910	1374	840	430	54	24	6	37	M33	12	40	80	42,0	F16
800	592	1025	1610	950	610*	58	24	-	41	M36	14	50	80	53,5	F16
900	669	1125	1822	1050	711*	62	28	-	41	M36	16	55	110	59,0	F25
1000	761	1255	2235	1170	864*	66	28	-	44	M39	18	65	110	65,0	F25
1200	900	1485	2510	1390	1070*	76*	32	-	50	M45	25	90	110	95,0	F25
1400	970	1685	2858	1590	1016*	82*	36	4	50	M45	25	90	130	95,0	F30

Notes: \* Not included in the standard.

U = No. of bolts. UU = No. of threaded holes. X = Size of bolt holes. XX = Size of threaded holes.