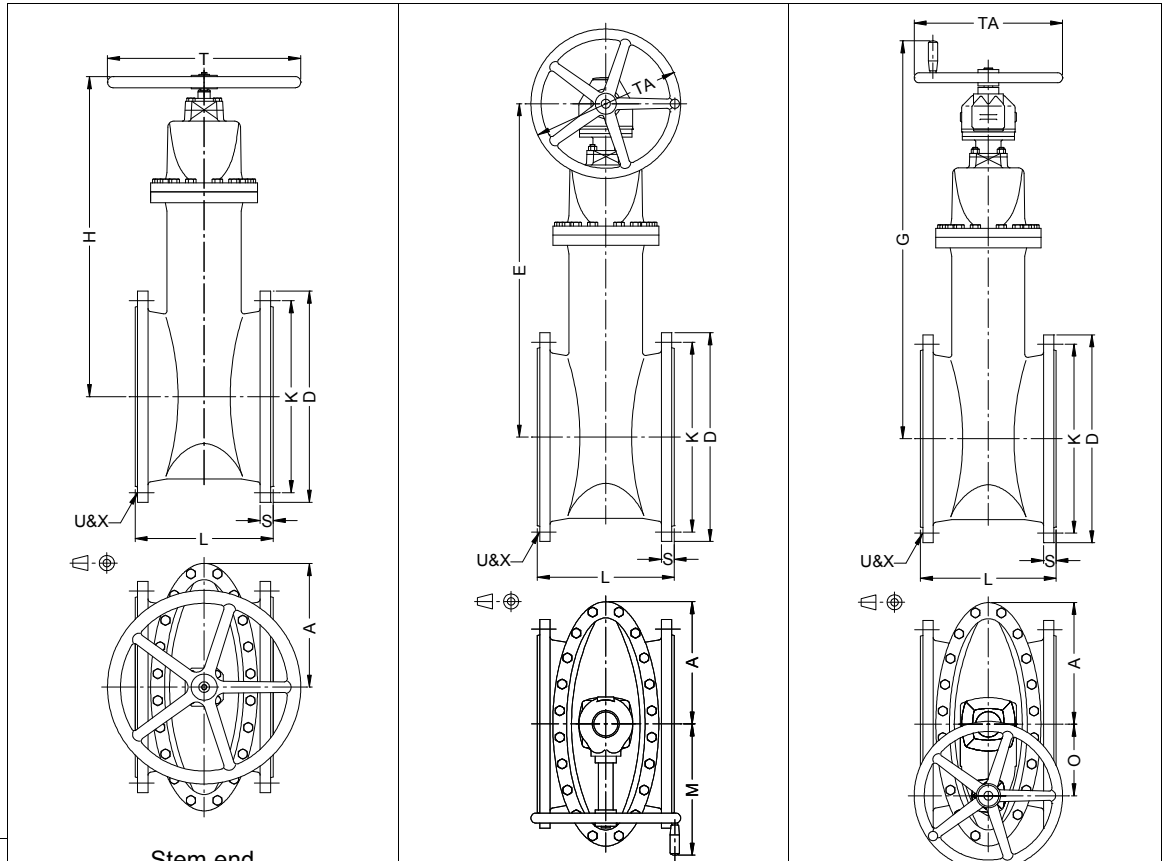


SEGURO

A RUBBER SEALED GATE VALVE

PN 10
Non rising stem
DN 350 - DN 1600

Class	Max. CWP	Test Pressure	Connections	Operation
PN 10	1000 kPa	Shell 1500 kPa Seat 1100 kPa	Flanges R.F. EN 1092-2 table 8 Face to Face EN 558-1 table 1, c14	Manual



Materials		Stem end		Bevel gear and hand wheel	Spur gear and hand wheel
Body	Seal	Square	Hand wheel		
Grey Iron	NBR	12-TF 1111A	12-TF 1111AH	12-TF 1111AM	12-TF 1111AT
	EPDM	12-TF 1112A	12-TF 1112AH	12-TF 1112AM	12-TF 1112AT
Ductile Iron	NBR	12-TF 1131A	12-TF 1131AH	12-TF 1131AM	12-TF 1131AT
	EPDM	12-TF 1132A	12-TF 1132AH	12-TF 1132AM	12-TF 1132AT

Due to constant development of our products, minor deviations in the design and non-standardized dimensions may occur.

DN	A	D	E	G	H	K	L	M	O	S	T	TA	U	UU	X	XX
350	311	505	888	1109	820	460	290	366	240	30	500	400	16	-	23	M20
400	351	565	973	1194	919	515	310	366	240	32	500	400	16	2	28	M24
450	371	615	1059	1277	1000	565	330	366	240	32	640	400	20	-	28	M24
500	409	670	1119	1340	1067	620	350	366	240	34	640	500	20	-	28	M24
600	482	780	1321	1555	1253	725	390	439	300	36	720	500	20	2	31	M27
700	506	895	1484	1721	1456	840	430	439	300	40	720	500	24	-	31	M27
800	592	1015	1723	1958	1654	950	470	439	300	44	800	640	24	4	34	M30
900	669	1115	1950	2226		1050	560*	454	360	46		640	28	-	34	M30
1000	761	1230	2363	2639		1160	550	454	360	50		720	28	4	37	M33
1200	900	1455	2640	2914		1380	1070*	454	360	56		720	32	-	41	M36
1400	970	1675	3041	3268		1590	1016*	558	380	62		800	36	4	44	M39
1600	1069	1915	3195	3250		1820	1118*	626	380	68		800	40	4	50	M45

Notes: * Not included in the standard.

U = No. of bolts. UU = No. of threaded holes. X = Size of bolt holes. XX = Size of threaded holes.

All Rights Reserved