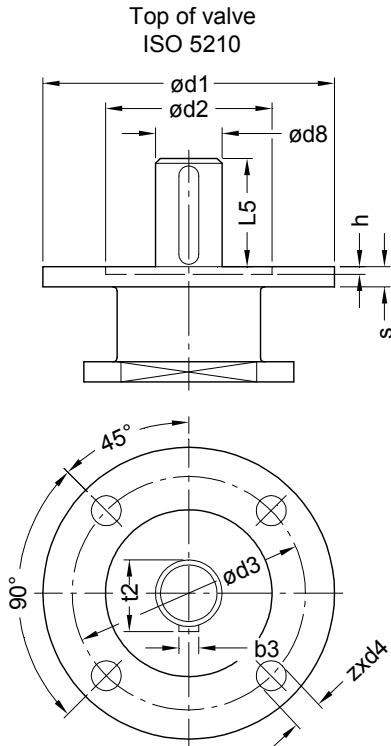


SEGURO

A RUBBER SEALED GATE VALVE

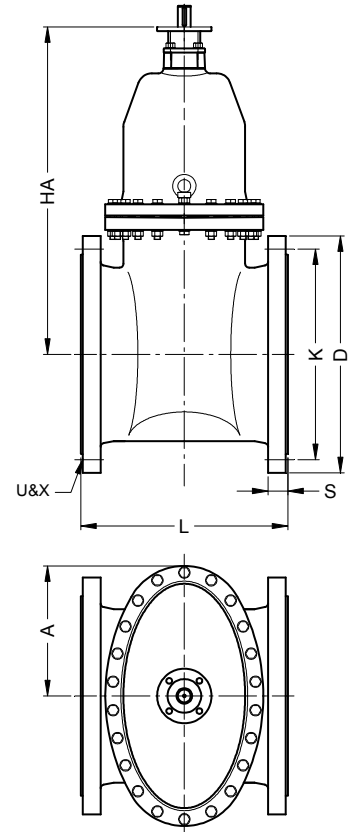
Class 250
Non rising stem
DN 16" - DN 48"

Class	Max. CWP	Test Pressure	Connections	Operation
250	300 Psi	Shell 450 Psi Seat 300 Psi	Flanges R.F. ASME B 16.1 Face to Face ASME B 16.10	Prepared for Actuator



DN	Torque Nm	No. of turns Open/Close
16"	348	60
18"	408	67
20"	493	74
24"	648	78
30"	996	90
36"	1200	106
42"	1398	117
48"	1896	102

Approximate operating torque and number of turns direct on stem.
Valid for all class 250 Seguro valves.
The seating torque is up to 10% higher.



Flange for multiturn actuator

ISO 5210	$\phi d1$	$\phi d2$	$\phi d3$	$\phi d4$	h	s	z
F16	210	130	165	22	5,5	16	4
F25	300	200	254	18	5,5	16	8
F30	350	230	298	22	5,5	18	8

Materials		
Body	Seal	
Grey	NBR	12-A1311AL
Iron	EPDM	12-A1312AL
Ductile	NBR	12-A1331AL
Iron	EPDM	12-A1332AL

Due to constant development of our products, minor deviations in the design and non-standardized dimensions may occur.

DN	A	D	HA	K	L	S	U	X	b3	$\phi d8$	L5	t2	ISO 5210
16"	370	650	900	572	610	57,2	20	34,9	12	40	80	43,0	F16
18"	409	710	971	629	660	60,3	24	34,9	12	40	80	43,0	F16
20"	625	775	1039	686	711	63,5	24	34,9	12	40	80	43,0	F16
24"	503	915	1271	813	787	69,8	24	41,3	14	50	80	53,5	F16
30"	622	1090	1754	997	914*	76,2	28	50,8	18	65	110	69,0	F25
36"	768	1270	1965	1168	1016*	85,7	32	57,2	18	65	110	69,0	F25
42"	815	1450	2307	1340	1118*	93,7	36	57,2	18	65	110	69,0	F25
48"	900	1650	2512	1543	1219*	101,6	40	57,2	25	90	130	95,0	F30

Notes: * Not included in the standard.
U = No. of bolts. X = Size of bolt holes.