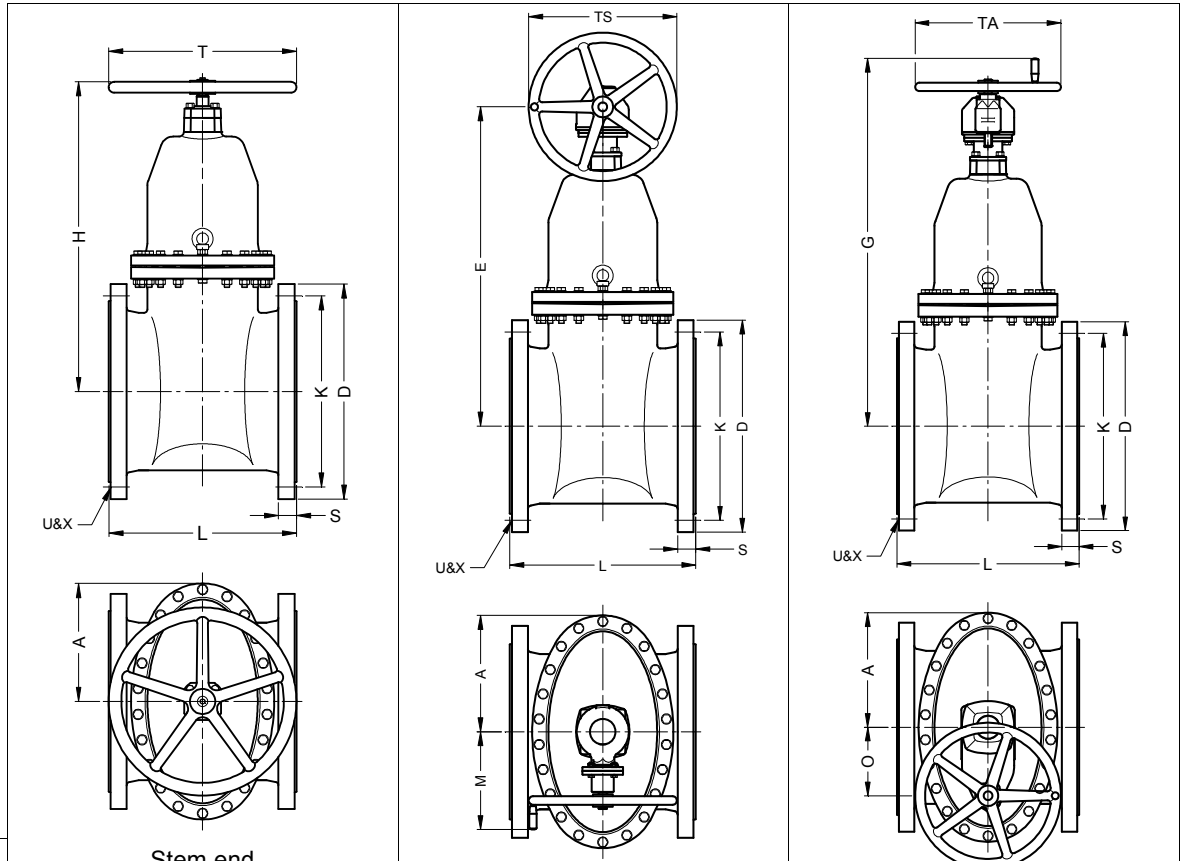


SEGURO

A RUBBER SEALED GATE VALVE

Class 250
Non rising stem
DN 16" - DN 48"

Class	Max. CWP	Test Pressure	Connections	Operation
250	300 Psi	Shell 450 Psi Seat 300 Psi	Flanges R.F. ASME B 16.1 Face to Face ASME B 16.10	Manual



Materials		Stem end			
Body	Seal	Square	Hand wheel	Bevel gear and hand wheel	Spur gear and hand wheel
Grey Iron	NBR	12-A1311A	12-A1311AH	12-A1311AM	12-A1311AT
	EPDM	12-A1312A	12-A1312AH	12-A1312AM	12-A1312AT
Ductile Iron	NBR	12-A1331A	12-A1331AH	12-A1331AM	12-A1331AT
	EPDM	12-A1332A	12-A1332AH	12-A1332AM	12-A1332AT

Due to constant development of our products, minor deviations in the design and non-standardized dimensions may occur.

DN	A	D	E	G	H	K	L	M	O	S	T	TA	TS	U	X
16"	370	650	1013	1255	976	572	610	366	300	57,2	500	500	500	20	34,9
18"	409	710	1099	1386	1077	629	660	366	300	60,3	640	500	500	24	34,9
20"	625	775	1167	1453	1114	686	711	366	300	63,5	640	500	500	24	34,9
24"	503	915	1399	1686	1330	813	787	366	300	69,8	720	500	500	24	41,3
30"	622	1090	1882	2169		997	914*	555	360	76,2	800	640	600	28	50,8
36"	768	1270	2093	2380		1168	1016*	555	360	85,7	800	640	600	32	57,2
42"	815	1450	2435	2722		1340	1118*	555	360	93,7	900	720	700	36	57,2
48"	900	1650	2640	2927		1543	1219*	762	380	101,6	1000	720	700	40	57,2

Notes: * Not included in the standard.

U = No. of bolts. X = Size of bolt holes.

Values for operating torque (on stem) and number of revolutions can be found on page B8.