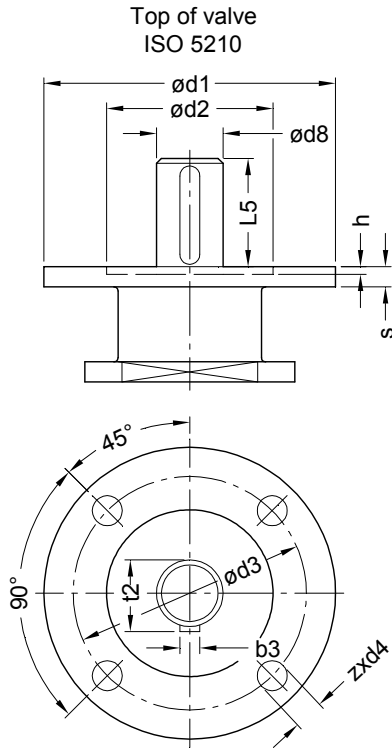
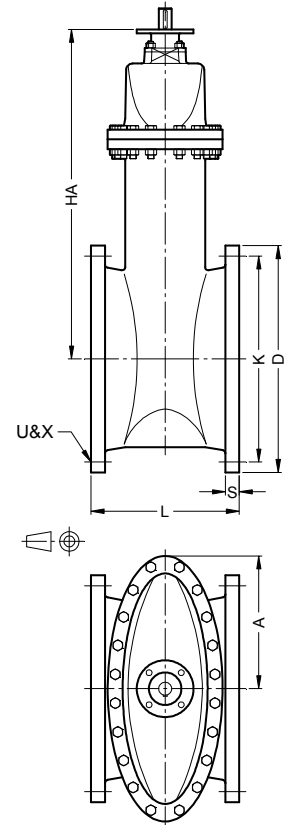


Class	Max. CWP	Test Pressure	Connections	Operation
125	150 Psi	Shell 230 Psi Seat 150 Psi	Flanges F.F. ASME B 16.1 Face to Face ASME B 16.10	Prepared for Actuator



DN	Torque lbf	No. of turns Open/Close
14"	170	62
16"	214	70
18"	251	78
20"	302	74
24"	398	88
30"	612	102
36"	738	106
42"	859	117
48"	1165	102
54"	1903	119
60"	2124	135

Approximate operating torque and number of turns direct on stem.
Valid for all class 125 Seguro valves.
The seating torque is up to 10% higher.



ISO 5210	$\phi d1$	$\phi d2$	$\phi d3$	$\phi d4$	h	s	z
F14	6,89	3,94	5,51	0,71	0,18	0,47	4
F16	8,27	5,12	6,50	0,87	0,22	0,63	4
F25	11,81	7,87	10,00	0,71	0,22	0,63	8
F30	13,78	9,06	11,73	0,87	0,22	0,71	8

Materials	
Body	Seal
Grey	NBR
Iron	EPDM
Ductile	NBR
Iron	EPDM

Flange for multiturn actuator

Due to constant development of our products, minor deviations in the design and non-standardized dimensions may occur.

DN	A	D	HA	K	L	S	U	X	b3	$\phi d8$	L5	t2	ISO 5210
14"	12,24	21,00	31,02	18,75	15	1,38	12	1,125	0,31	1,18	2,56	1,30	F14
16"	13,82	23,50	34,76	21,25	16	1,44	16	1,125	0,39	1,38	2,56	1,50	F14
18"	14,61	25,00	37,76	22,75	17	1,56	16	1,250	0,39	1,38	2,56	1,50	F14
20"	16,10	27,50	40,12	25,00	18	1,69	20	1,250	0,47	1,57	2,56	1,69	F14
24"	18,98	32,00	47,56	29,50	20	1,88	20	1,375	0,47	1,57	3,15	1,69	F16
30"	23,31	38,75	63,39	36,00	24*	2,12	28	1,375	0,55	1,97	3,15	2,11	F16
36"	26,34	46,00	71,73	42,75	28*	2,38	32	1,625	0,63	2,17	4,33	2,32	F25
42"	29,96	53,00	87,99	49,50	34*	2,62	36	1,625	0,71	2,56	4,33	2,72	F25
48"	35,43	59,50	98,90	56,00	42*	2,75	44	1,625	0,98	3,54	4,33	3,74	F25
54"	38,19	66,25	112,52	62,75	40*	3,00	44	2,000	0,98	3,54	5,12	3,74	F30
60"	42,01	73,00	122,17	69,25	44*	3,13	52	2,000	0,98	3,54	5,12	3,74	F30

Notes: * Not included in the standard.

U = No. of bolts, some of the holes might be threaded on DN 54" and larger. X = Size of bolt holes.