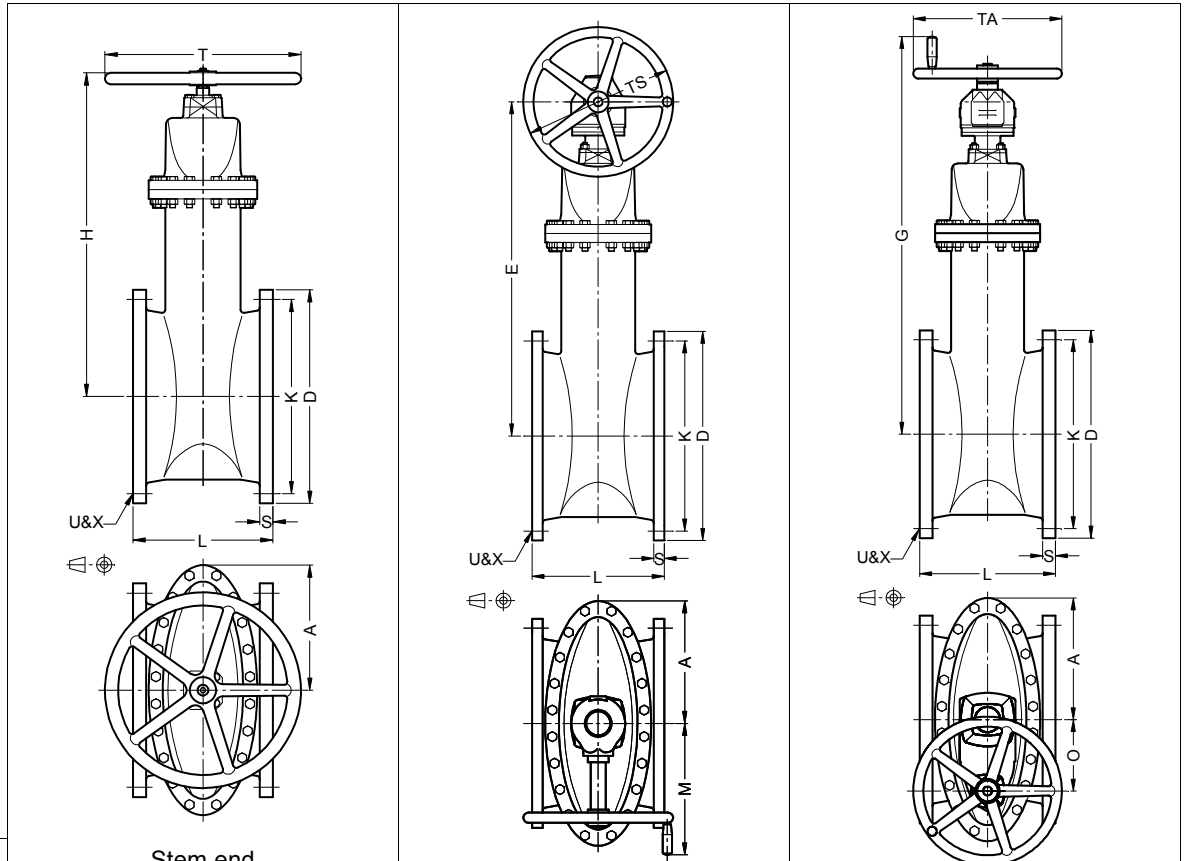


SEGURO

A RUBBER SEALED GATE VALVE

Class 125
Non rising stem
DN 14" - DN 60"

Class	Max. CWP	Test Pressure	Connections	Operation
125	150 Psi	Shell 230 Psi Seat 150 Psi	Flanges F.F. ASME B 16.1 Face to Face ASME B 16.10	Manual



Materials		Stem end		Bevel gear and hand wheel	Spur gear and hand wheel
Body	Seal	Square	Hand wheel		
Grey Iron	NBR	12-A1111A	12-A1111AH	12-A1111AM	12-A1111AT
	EPDM	12-A1112A	12-A1112AH	12-A1112AM	12-A1112AT
Ductile Iron	NBR	12-A1131A	12-A1131AH	12-A1131AM	12-A1131AT
	EPDM	12-A1132A	12-A1132AH	12-A1132AM	12-A1132AT

Due to constant development of our products, minor deviations in the design and non-standardized dimensions may occur.

DN	A	D	E	G	H	K	L	M	O	S	T	TA	TS	U	X
14"	311	535	888	1109	820	476	381	349	240	35,0	500	400	400	12	28,6
16"	351	595	973	1194	919	540	406	349	240	36,6	500	400	400	16	28,6
18"	371	635	1059	1277	1000	578	432	349	240	39,6	640	400	400	16	31,8
20"	409	700	1119	1340	1067	635	457	349	240	42,9	640	500	500	20	31,8
24"	482	815	1321	1555	1253	749	508	483	300	47,8	720	500	500	20	34,9
30"	592	985	1723	1958	1654	914	610*	483	300	53,8	800	640	600	28	34,9
36"	669	1170	1950	2226		1086	711*	555	360	60,5	800	640	600	32	41,3
42"	761	1345	2363	2639		1257	864*	555	360	66,7	900	720	700	36	41,3
48"	900	1510	2640	2914		1422	1067*	555	360	69,9	1000	720	700	44	41,3
54"	970	1685	3041	3268		1594	1016*	762	380	76,2		800	900	44	50,8
60"	1067	1855	3286	3531		1759	1118*	762	380	79,4		800	900	52	50,8

Notes: * Not included in the standard.

U = No. of bolts, some of the holes might be threaded on DN 54" and larger. X = Size of bolt holes.

Values for operating torque (on stem) and number of revolutions can be found on page B2.

All Rights Reserved