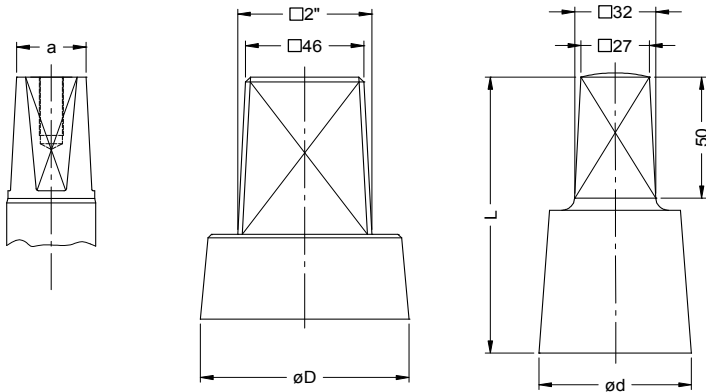


Operating Square

Instead of hand wheel, the manual operated valves can be delivered with a protection cap as shown to the right. The table below shows the dimensions for each valve size. Alternatively a 2" operating square (shown in the middle) is available. Both caps are secured by a screw into the stem (to the left).



Class 125 / PN 10

DN	Stem	Protection cap	
		L	ød
14"/ 350	24,3	106	60
16"/ 400	27,3	114	60
18"/ 450	27,3	114	60
20"/ 500	27,3	114	60
24"/ 600	32,3	124	80
/ 700	32,3	124	80
30"/ 800	36,3	124	100