

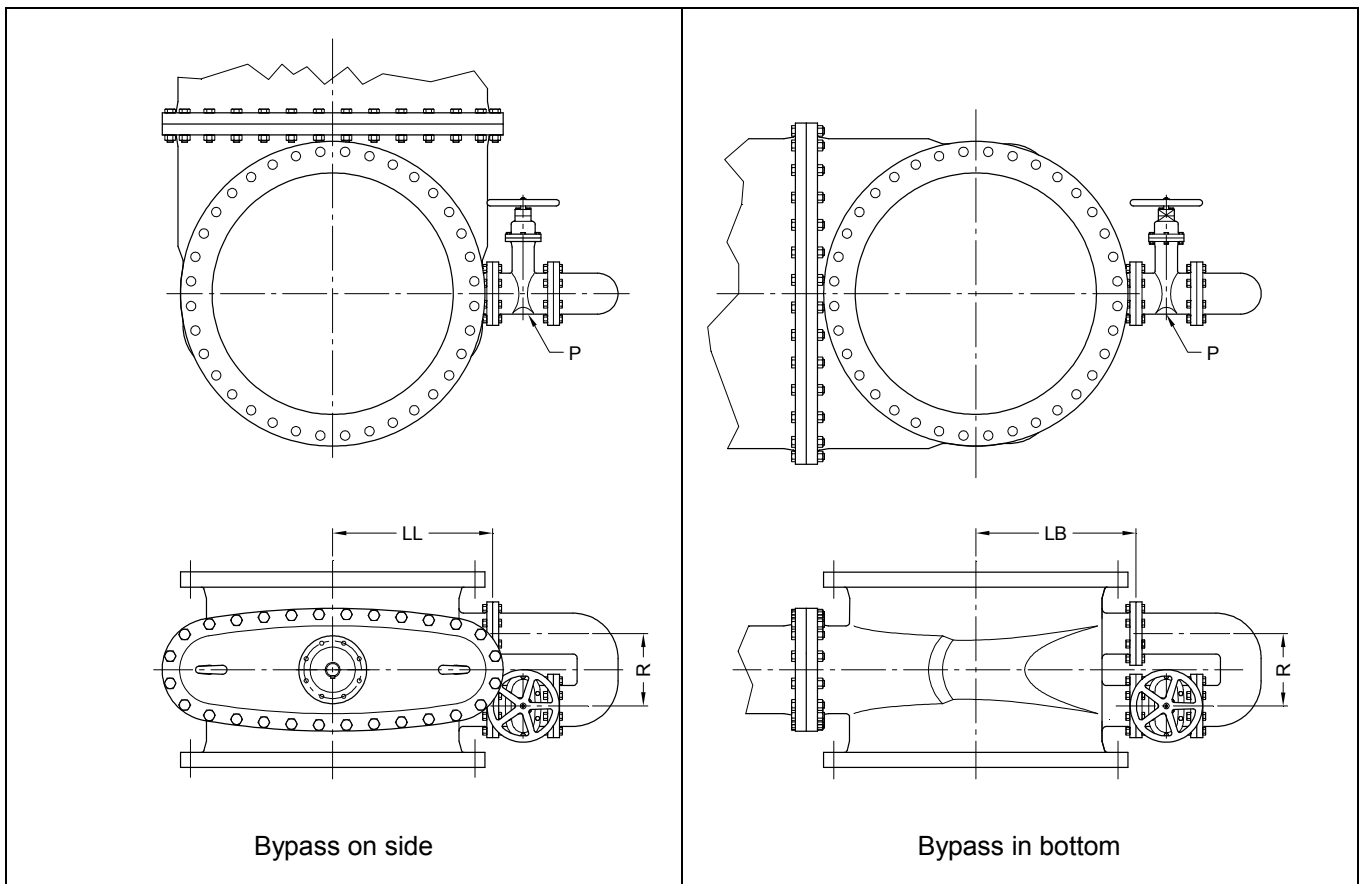
Accessories

Bypass valve

The installation of a bypass permits the line medium to pass around the main valve in a controlled amount. This is sometimes desirable as it eases operation of the main valve and greatly reduces the risk of damage due to water hammer.

The bypass valve is normally mounted on the side of the main valve with the stems in parallel, but other arrangement can be made on special request. If the main valve is to be mounted with horizontal stem on a horizontal pipeline, the bypass should be placed in the bottom of the valve. Please specify when ordering.

The bypass valve is supplied in the same design as the main valve, that is NRS bypass on a NRS main valve and so on. Unless specially ordered, the bypass valve will be equipped with a hand wheel or an operating square if the main valve is without hand wheel.



American standard and general measures				
DN	LL	LB	P	R
16"	355	340	3"	205
18"	382	365	3"	205
20"	407	397	3"	205
24"	510	470	4"	240
28"	553			
30"	560	530	4"	240
36"		642	6"	320
42"	708		6"	320
48"				
54"	970		8"	570
60"	1040		8"	640

German standard		
DN	P	R
400		
450	80	205
500	80	205
600	100	240
700	100	240
800	100	240
900		
1000		
1200		
1400		
1500		

Notes: P is the size of the bypass valve.
Missing values have not yet been defined.