

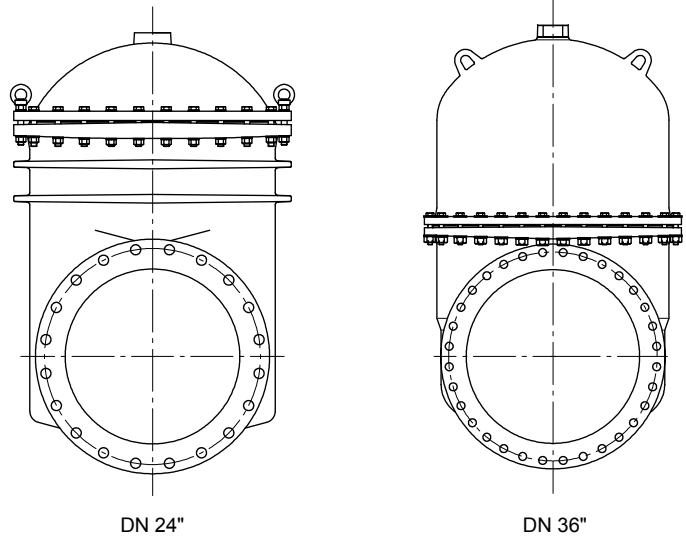
SEGURO

A RUBBER SEALED GATE VALVE

Technical Information

Lifting lugs

The smaller Seguro valves up to DN 700 (28") are equipped with ring nuts for lifting the valve under installation, while the larger valves (from DN 800/30") have cast lifting lugs and tall bonnets.



Support wheel

Seguro gate valves can be ordered with a supporting wheel on one side of the gate. This will reduce the stem torque and wear when the valve is placed 'on its side' on a horizontal pipe.

The wheel is made of polyamid, while the other parts are of stainless steel.

Parts list

Pos	Description
51	Wheel bracket
52	Wheel
53	Pin
54	Washer
55	Circlip ring
56	Washer
57	Bolt

