



**BRDR. CHRISTENSEN ApS**

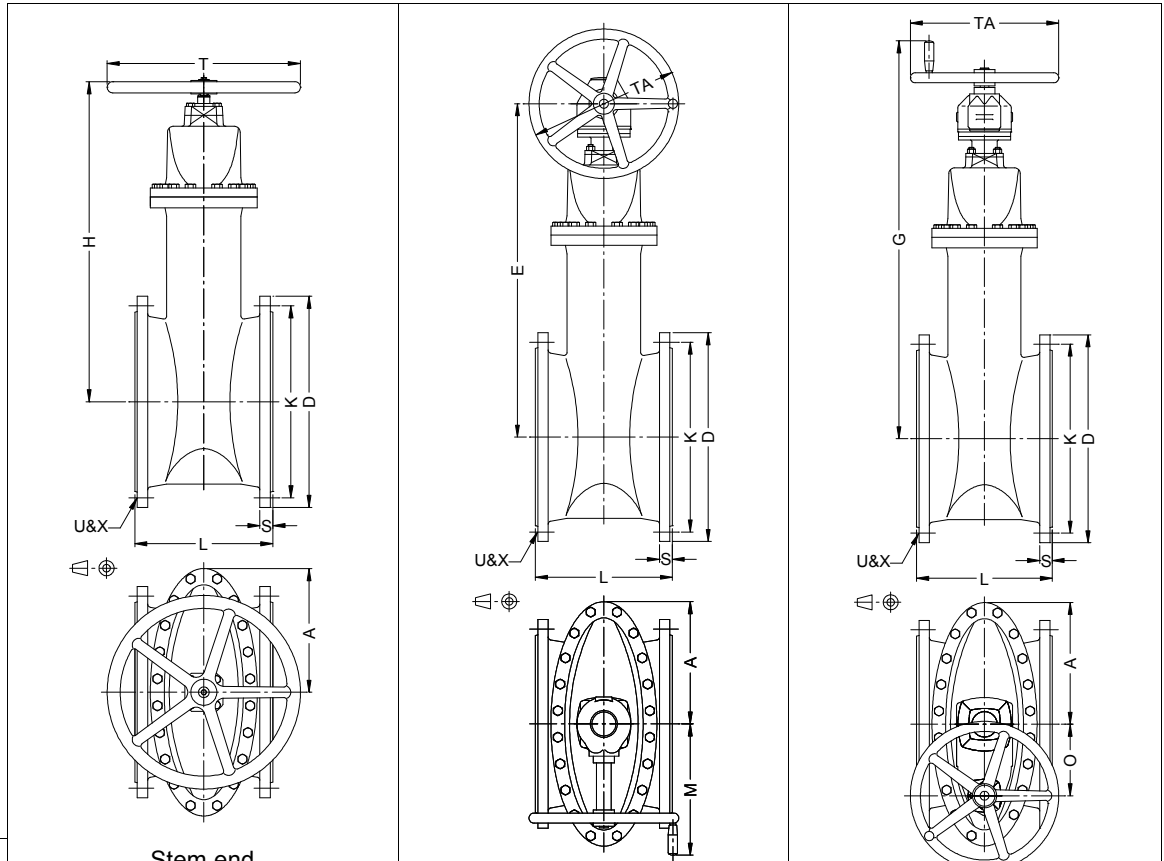
Skudersløse - 4690 Haslev - Denmark - Tel. +45 56 36 36 36 - Fax +45 56 36 36 00 - [bch@bch.dk](mailto:bch@bch.dk) - [www.bch.dk](http://www.bch.dk)

# SEGURO

A RUBBER SEALED GATE VALVE

PN 16  
Non rising stem  
DN 350 - DN 1400

Class	Max. CWP	Test Pressure	Connections	Operation
PN 16	1600 kPa	Shell 2400 kPa Seat 1760 kPa	Flanges R.F. EN 1092-2 table 9 Face to Face EN 558-1 table 1, c14	Manual



Materials		Stem end			
Body	Seal	Square	Hand wheel	Bevel gear and hand wheel	Spur gear and hand wheel
Grey Iron	NBR	12-TF 1211A	12-TF 1211AH	12-TF 1211AM	12-TF 1211AT
	EPDM	12-TF 1212A	12-TF 1212AH	12-TF 1212AM	12-TF 1212AT
Ductile Iron	NBR	12-TF 1231A	12-TF 1231AH	12-TF 1231AM	12-TF 1231AT
	EPDM	12-TF 1232A	12-TF 1232AH	12-TF 1232AM	12-TF 1232AT

Due to constant development of our products, minor deviations in the design and non-standardized dimensions may occur.

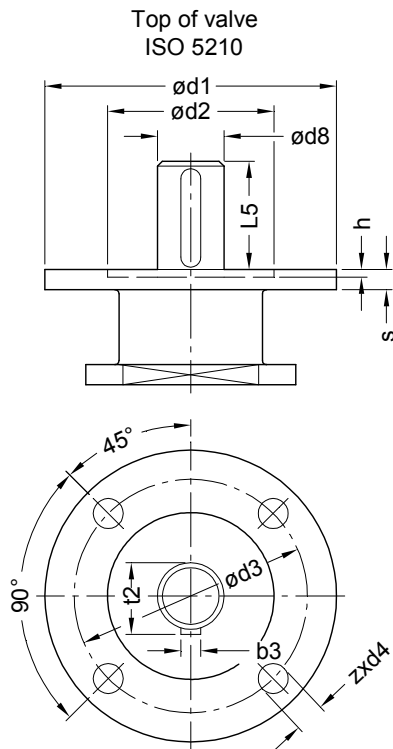
DN	A	D	E	G	H	K	L	M	O	S	T	TA	U	UU	X	XX
350	311	520	888	1109	820	470	290	366	240	36	500	400	16	4	28	M24
400	351	580	973	1194	919	525	310	366	240	38	500	400	16	4	31	M27
450	371	640	1059	1277	1000	585	330	366	240	40	640	400	20	4	31	M27
500	409	715	1119	1340	1067	650	350	366	240	42	640	500	20	4	34	M30
600	482	840	1321	1555	1253	770	390	439	300	48	720	500	20	6	37	M33
700	506	910	1484	1721	1456	840	430	439	300	54	720	500	24	6	37	M33
800	592	1025	1723	2050	1654	950	610*	439	300	58	800	640	24	-	41	M36
900	669	1125	1950	2226		1050	711*	454	360	62		640	28	-	41	M36
1000	761	1255	2363	2639		1170	864*	454	360	66		720	28	-	44	M39
1200	900	1485	2640	2914		1390	1070*	454	360	76*		720	32	-	50	M45
1400	970	1685	3041	3268		1590	1016*	558	380	82*		800	36	4	50	M45

Notes: \* Not included in the standard.

U = No. of bolts. UU = No. of threaded holes. X = Size of bolt holes. XX = Size of threaded holes.

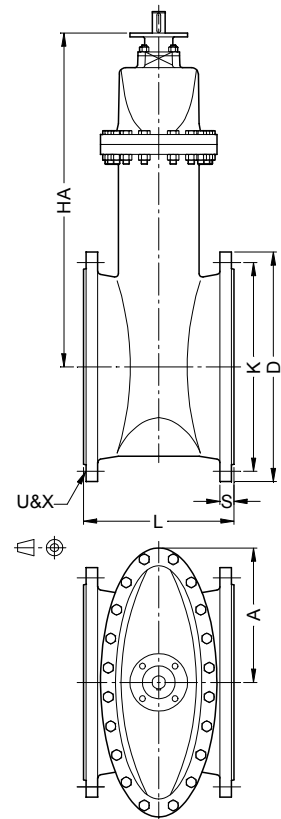
Values for operating torque (on stem) and number of revolutions can be found on page C6.

Class	Max. CWP	Test Pressure	Connections	Operation
PN 16	1600 kPa	Shell 2400 kPa Seat 1760 kPa	Flanges R.F. EN 1092-2 table 9 Face to Face EN 558-1 table 1, c14	Prepared for Actuator



DN	Torque Nm	No. of turns Open/Close
350	253	62
400	319	70
450	374	78
500	451	74
600	594	88
700	737	103
800	913	102
900	1100	103
1000	1282	117
1200	1738	102
1400	2840	119

Approximate operating torque and number of turns direct on stem.  
Valid for all PN 16 Seguro valves.  
The seating torque is 10% higher.



ISO 5210	ød1	ød2	ød3	ød4	h	s	z
F14	175	100	140	18	4,5	12	4
F16	210	130	165	22	5,5	16	4
F25	300	200	254	18	5,5	18	8
F30	350	230	298	22	5,5	18	8

Materials		Flange for multiturn actuator
Body	Seal	
Grey Iron	NBR	12-TF 1111AL
	EPDM	12-TF 1112AL
Ductile Iron	NBR	12-TF 1131AL
	EPDM	12-TF 1132AL

Due to constant development of our products, minor deviations in the design and non-standardized dimensions may occur.

DN	A	D	HA	K	L	S	U	UU	X	XX	b3	ød8	L5	t2	ISO 5210
350	311	520	788	470	290	36	16	4	28	M24	8	30	65	33,0	F14
400	351	580	873	525	310	38	16	4	31	M27	10	35	65	38,0	F14
450	371	640	956	585	330	40	20	4	31	M27	10	35	65	38,0	F14
500	409	715	1019	650	350	42	20	4	34	M30	12	40	65	43,0	F14
600	482	840	1208	770	390	48	20	6	37	M33	12	40	80	43,0	F16
700	506	910	1374	840	430	54	24	6	37	M33	12	40	80	42,0	F16
800	592	1025	1610	950	610*	58	24	-	41	M36	14	50	80	53,5	F16
900	669	1125	1822	1050	711*	62	28	-	41	M36	16	55	110	59,0	F25
1000	761	1255	2235	1170	864*	66	28	-	44	M39	18	65	110	65,0	F25
1200	900	1485	2510	1390	1070*	76*	32	-	50	M45	25	90	110	95,0	F25
1400	970	1685	2858	1590	1016*	82*	36	4	50	M45	25	90	130	95,0	F30

Notes: \* Not included in the standard.

U = No. of bolts. UU = No. of threaded holes. X = Size of bolt holes. XX = Size of threaded holes.