



BRDR. CHRISTENSEN ApS

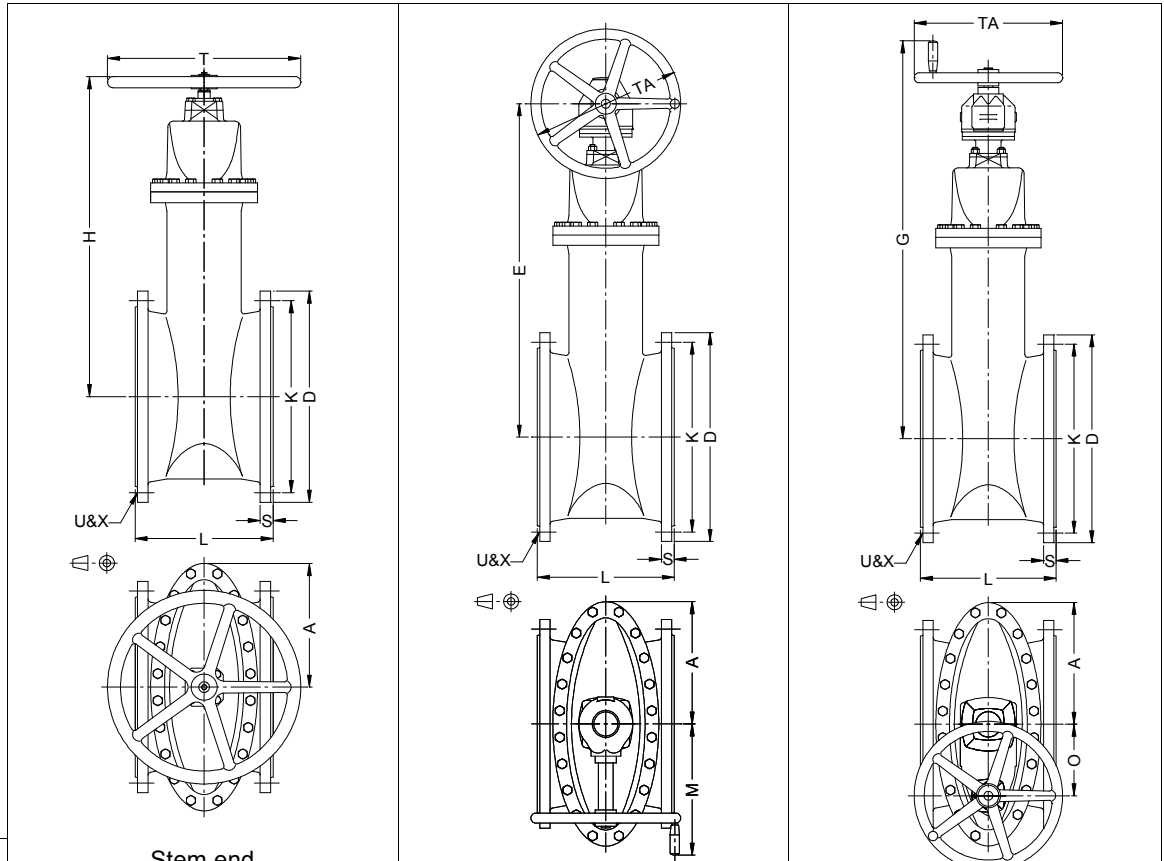
Skudløse - 4690 Haslev - Denmark - Tel. +45 56 36 36 36 - Fax +45 56 36 36 00 - bch@bch.dk - www.bch.dk

SEGURO

A RUBBER SEALED GATE VALVE

PN 10
Non rising stem
DN 350 - DN 1600

Class	Max. CWP	Test Pressure	Connections	Operation
PN 10	1000 kPa	Shell 1500 kPa Seat 1100 kPa	Flanges R.F. EN 1092-2 table 8 Face to Face EN 558-1 table 1, c14	Manual



Materials		Stem end		Bevel gear and hand wheel	Spur gear and hand wheel
Body	Seal	Square	Hand wheel		
Grey Iron	NBR	12-TF 1111A	12-TF 1111AH	12-TF 1111AM	12-TF 1111AT
	EPDM	12-TF 1112A	12-TF 1112AH	12-TF 1112AM	12-TF 1112AT
Ductile Iron	NBR	12-TF 1131A	12-TF 1131AH	12-TF 1131AM	12-TF 1131AT
	EPDM	12-TF 1132A	12-TF 1132AH	12-TF 1132AM	12-TF 1132AT

Due to constant development of our products, minor deviations in the design and non-standardized dimensions may occur.

DN	A	D	E	G	H	K	L	M	O	S	T	TA	U	UU	X	XX
350	311	505	888	1109	820	460	290	366	240	30	500	400	16	-	23	M20
400	351	565	973	1194	919	515	310	366	240	32	500	400	16	2	28	M24
450	371	615	1059	1277	1000	565	330	366	240	32	640	400	20	-	28	M24
500	409	670	1119	1340	1067	620	350	366	240	34	640	500	20	-	28	M24
600	482	780	1321	1555	1253	725	390	439	300	36	720	500	20	2	31	M27
700	506	895	1484	1721	1456	840	430	439	300	40	720	500	24	-	31	M27
800	592	1015	1723	1958	1654	950	470	439	300	44	800	640	24	4	34	M30
900	669	1115	1950	2226		1050	560*	454	360	46		640	28	-	34	M30
1000	761	1230	2363	2639		1160	550	454	360	50		720	28	4	37	M33
1200	900	1455	2640	2914		1380	1070*	454	360	56		720	32	-	41	M36
1400	970	1675	3041	3268		1590	1016*	558	380	62		800	36	4	44	M39
1600	1069	1915	3195	3250		1820	1118*	626	380	68		800	40	4	50	M45

Notes: * Not included in the standard.

U = No. of bolts. UU = No. of threaded holes. X = Size of bolt holes. XX = Size of threaded holes.

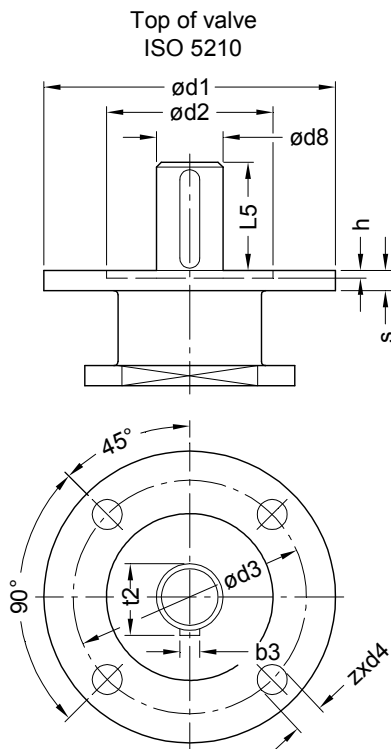
All Rights Reserved

SEGURO

A RUBBER SEALED GATE VALVE

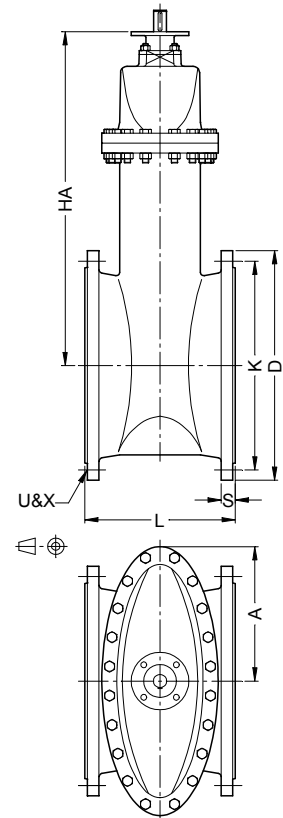
PN 10
Non rising stem
DN 350 - DN 1600

Values for operating	Max. CWP	Test Pressure	Connections	Operation
PN 10	1000 kPa	Shell 1500 kPa Seat 1100 kPa	Flanges R.F. EN 1092-2 table 8 Face to Face EN 558-1 table 1, c14	Prepared for Actuator



DN	Torque Nm	No. of turns Open/Close
350	230	62
400	290	70
450	340	78
500	410	74
600	540	88
700	670	103
800	830	102
900	1000	106
1000	1165	117
1200	1580	102
1400	2580	119
1600	2880	135

Approximate operating torque and number of turns direct on stem.
Valid for all PN 10 Seguro valves.
The seating torque is up to 10% higher.



ISO 5210	$\phi d1$	$\phi d2$	$\phi d3$	$\phi d4$	h	s	z
F14	175	100	140	18	4,5	12	4
F16	210	130	165	22	5,5	16	4
F25	300	200	254	18	5,5	16	8
F30	350	230	298	22	5,5	18	8

Materials		Flange for multiturn actuator
Body	Seal	
Grey Iron	NBR	12-TF 1111AL
	EPDM	12-TF 1112AL
Ductile Iron	NBR	12-TF 1131AL
	EPDM	12-TF 1132AL

Due to constant development of our products, minor deviations in the design and non-standardized dimensions may occur.

DN	A	D	HA	K	L	S	U	UU	X	XX	b3	$\phi d8$	L5	t2	ISO 5210
350	311	505	788	460	290	30	16	-	23	M20	8	30	65	33,0	F14
400	351	565	883	515	310	32	16	2	28	M24	10	35	65	38,0	F14
450	371	615	959	565	330	32	20	-	28	M24	10	35	65	38,0	F14
500	409	670	1019	620	350	34	20	-	28	M24	12	40	65	43,0	F14
600	482	780	1208	725	390	36	20	2	31	M27	12	40	80	43,0	F16
700	506	895	1371	840	430	40	24	-	31	M27	12	40	80	42,0	F16
800	592	1015	1610	950	470	44	24	4	34	M30	14	50	80	53,5	F16
900	669	1115	1822	1050	560*	46	28	-	34	M30	16	55	110	59,0	F25
1000	761	1230	2235	1160	550	50	28	4	37	M33	18	65	110	65,0	F25
1200	900	1455	2512	1380	1070*	56	32	-	41	M36	25	90	110	95,0	F25
1400	970	1675	2858	1590	1016*	62	36	4	44	M39	25	90	130	95,0	F30
1600	1067	1915	3103	1820	1118*	68	40	4	50	M45	25	90	130	95,0	F30

Notes: * Not included in the standard.

U = No. of bolts. UU = No. of threaded holes. X = Size of bolt holes. XX = Size of threaded holes.