



BRDR. CHRISTENSEN ApS

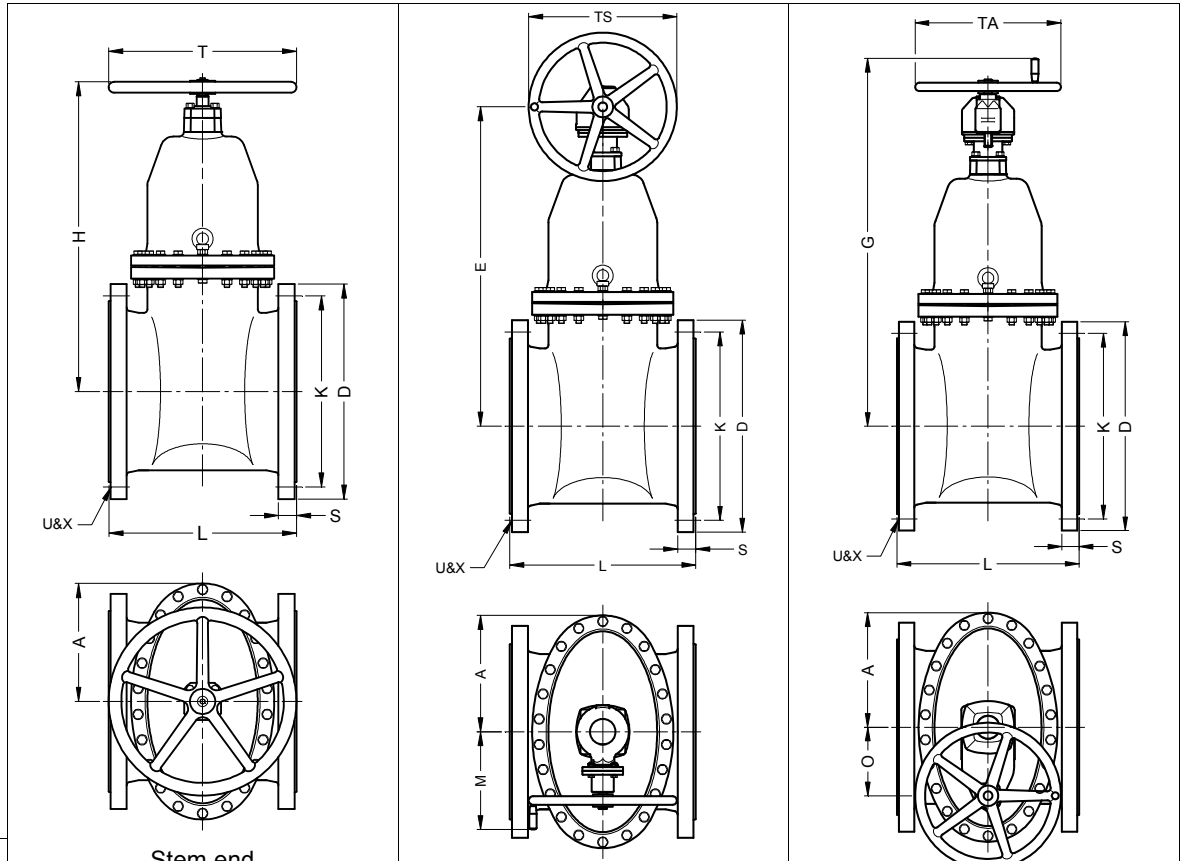
Skudersløse - 4690 Haslev - Denmark - Tel. +45 56 36 36 36 - Fax +45 56 36 36 00 - bch@bch.dk - www.bch.dk

SEGURO

A RUBBER SEALED GATE VALVE

Class 250
Non rising stem
DN 16" - DN 48"

Class	Max. CWP	Test Pressure	Connections	Operation
250	300 Psi	Shell 450 Psi Seat 300 Psi	Flanges R.F. ASME B 16.1 Face to Face ASME B 16.10	Manual



Materials		Stem end			
Body	Seal	Square	Hand wheel	Bevel gear and hand wheel	Spur gear and hand wheel
Grey Iron	NBR	12-A1311A	12-A1311AH	12-A1311AM	12-A1311AT
	EPDM	12-A1312A	12-A1312AH	12-A1312AM	12-A1312AT
Ductile Iron	NBR	12-A1331A	12-A1331AH	12-A1331AM	12-A1331AT
	EPDM	12-A1332A	12-A1332AH	12-A1332AM	12-A1332AT

Due to constant development of our products, minor deviations in the design and non-standardized dimensions may occur.

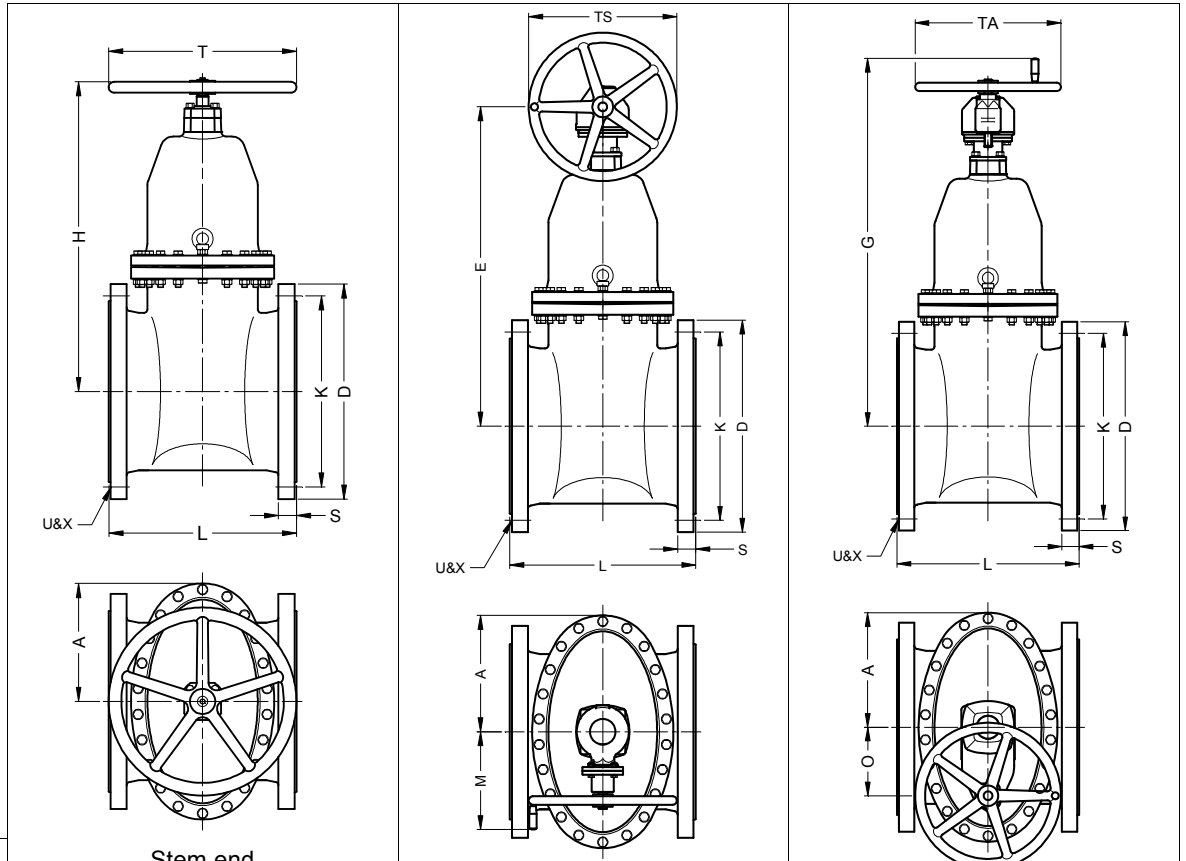
DN	A	D	E	G	H	K	L	M	O	S	T	TA	TS	U	X
16"	370	650	1013	1255	976	572	610	366	300	57,2	500	500	500	20	34,9
18"	409	710	1099	1386	1077	629	660	366	300	60,3	640	500	500	24	34,9
20"	625	775	1167	1453	1114	686	711	366	300	63,5	640	500	500	24	34,9
24"	503	915	1399	1686	1330	813	787	366	300	69,8	720	500	500	24	41,3
30"	622	1090	1882	2169		997	914*	555	360	76,2	800	640	600	28	50,8
36"	768	1270	2093	2380		1168	1016*	555	360	85,7	800	640	600	32	57,2
42"	815	1450	2435	2722		1340	1118*	555	360	93,7	900	720	700	36	57,2
48"	900	1650	2640	2927		1543	1219*	762	380	101,6	1000	720	700	40	57,2

Notes: * Not included in the standard.

U = No. of bolts. X = Size of bolt holes.

Values for operating torque (on stem) and number of revolutions can be found on page B8.

Class	Max. CWP	Test Pressure	Connections	Operation
250	300 Psi	Shell 450 Psi Seat 300 Psi	Flanges R.F. ASME B 16.1 Face to Face ASME B 16.10	Manual



Materials		Stem end			
Body	Seal	Square	Hand wheel	Bevel gear and hand wheel	Spur gear and hand wheel
Grey Iron	NBR	12-A1311A	12-A1311AH	12-A1311AM	12-A1311AT
	EPDM	12-A1312A	12-A1312AH	12-A1312AM	12-A1312AT
Ductile Iron	NBR	12-A1331A	12-A1331AH	12-A1331AM	12-A1331AT
	EPDM	12-A1332A	12-A1332AH	12-A1332AM	12-A1332AT

Due to constant development of our products, minor deviations in the design and non-standardized dimensions may occur.

DN	A	D	E	G	H	K	L	M	O	S	T	TA	TS	U	X
16"	14,57	25,50	39,90	49,40	38,50	22,50	24	14,40	11,81	2,25	19,69	19,69	19,69	20	1,375
18"	16,10	28,00	43,30	54,60	41,20	24,75	26	14,40	11,81	2,38	25,20	19,69	19,69	24	1,375
20"	24,61	30,50	46,00	57,20	43,90	27,00	28	14,40	11,81	2,50	25,20	19,69	19,69	24	1,375
24"	19,80	36,00	55,10	66,40	52,40	32,00	31	14,40	11,81	2,75	28,35	19,69	19,69	24	1,625
30"	24,49	43,00	74,10	85,40		39,25	36*	21,85	14,17	3,00	31,50	25,20	23,62	28	2,000
36"	30,24	50,00	82,40	93,70		46,00	40*	21,85	14,17	3,38	31,50	25,20	23,62	32	2,250
42"	32,09	57,00	95,90	107,20		52,75	44*	21,85	14,17	3,69	35,43	28,35	27,56	36	2,250
48"	35,43	65,00	104,00	115,20		60,75	48*	30,00	14,96	4,00	39,37	28,35	27,56	40	2,250

Notes: * Not included in the standard.

U = No. of bolts, X = Size of bolt holes.

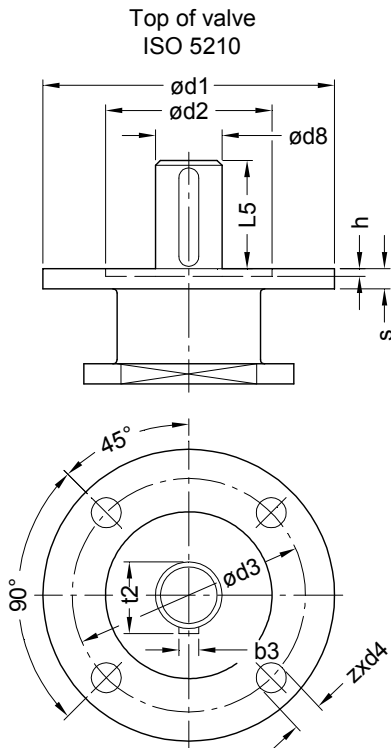
Values for operating torque (on stem) and number of revolutions can be found on page B8/I.

SEGURO

A RUBBER SEALED GATE VALVE

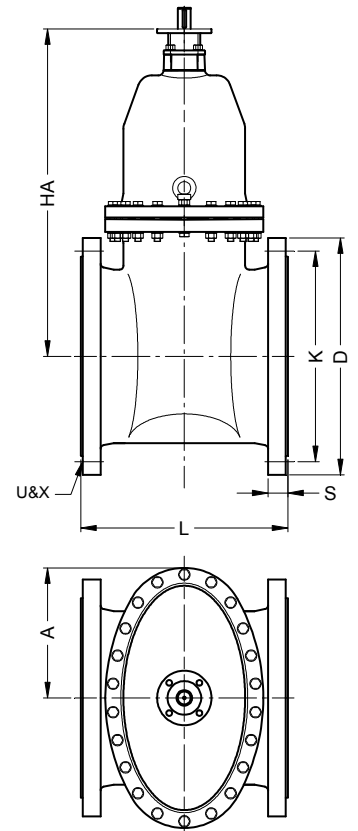
Class 250
Non rising stem
DN 16" - DN 48"

Class	Max. CWP	Test Pressure	Connections	Operation
250	300 Psi	Shell 450 Psi Seat 300 Psi	Flanges R.F. ASME B 16.1 Face to Face ASME B 16.10	Prepared for Actuator



DN	Torque Nm	No. of turns Open/Close
16"	348	60
18"	408	67
20"	493	74
24"	648	78
30"	996	90
36"	1200	106
42"	1398	117
48"	1896	102

Approximate operating torque and number of turns direct on stem.
Valid for all class 250 Seguro valves.
The seating torque is up to 10% higher.



Flange for multiturn actuator

ISO 5210	$\phi d1$	$\phi d2$	$\phi d3$	$\phi d4$	h	s	z
F16	210	130	165	22	5,5	16	4
F25	300	200	254	18	5,5	16	8
F30	350	230	298	22	5,5	18	8

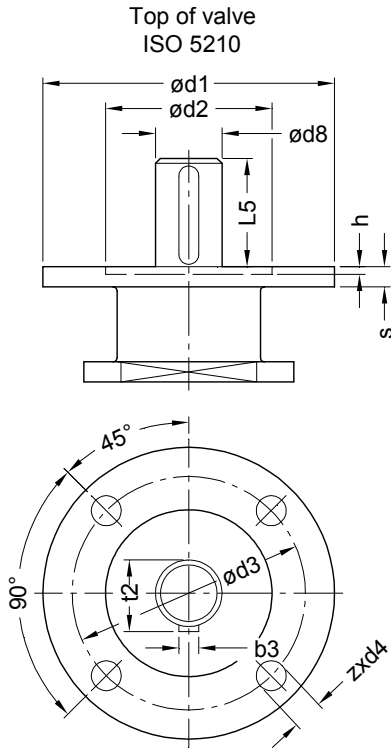
Materials		
Body	Seal	
Grey Iron	NBR	12-A1311AL
	EPDM	12-A1312AL
Ductile Iron	NBR	12-A1331AL
	EPDM	12-A1332AL

Due to constant development of our products, minor deviations in the design and non-standardized dimensions may occur.

DN	A	D	HA	K	L	S	U	X	b3	$\phi d8$	L5	t2	ISO 5210
16"	370	650	900	572	610	57,2	20	34,9	12	40	80	43,0	F16
18"	409	710	971	629	660	60,3	24	34,9	12	40	80	43,0	F16
20"	625	775	1039	686	711	63,5	24	34,9	12	40	80	43,0	F16
24"	503	915	1271	813	787	69,8	24	41,3	14	50	80	53,5	F16
30"	622	1090	1754	997	914*	76,2	28	50,8	18	65	110	69,0	F25
36"	768	1270	1965	1168	1016*	85,7	32	57,2	18	65	110	69,0	F25
42"	815	1450	2307	1340	1118*	93,7	36	57,2	18	65	110	69,0	F25
48"	900	1650	2512	1543	1219*	101,6	40	57,2	25	90	130	95,0	F30

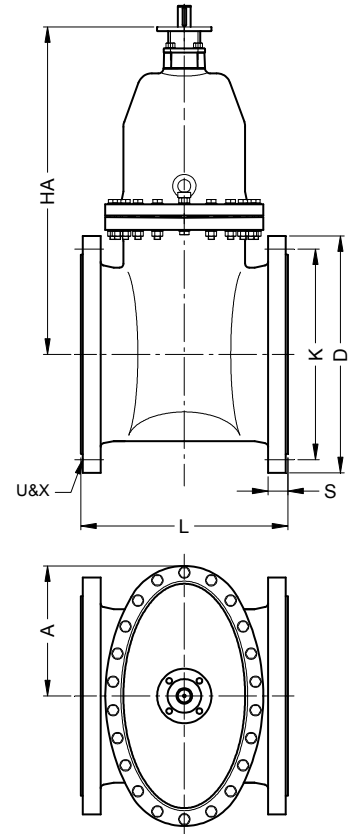
Notes: * Not included in the standard.
U = No. of bolts. X = Size of bolt holes.

Class	Max. CWP	Test Pressure	Connections	Operation
250	300 Psi	Shell 450 Psi Seat 300 Psi	Flanges R.F. ASME B 16.1 Face to Face ASME B 16.10	Prepared for Actuator



DN	Torque lbf	No. of turns Open/Close
16"	257	60
18"	301	67
20"	364	74
24"	478	78
30"	366	90
36"	885	106
42"	1031	117
48"	1398	102

Approximate operating torque and number of turns direct on stem.
Valid for all class 250 Seguro valves.
The seating torque is up to 10% higher.



Flange for multiturn actuator

ISO 5210	$\phi d1$	$\phi d2$	$\phi d3$	$\phi d4$	h	s	z
F16	8,27	5,12	6,50	0,87	0,22	0,63	4
F25	11,81	7,87	10,00	0,71	0,22	0,63	8
F30	13,78	9,06	11,73	0,87	0,22	0,71	8

Materials		
Body	Seal	
Grey	NBR	12-A1311AL
Iron	EPDM	12-A1312AL
Ductile	NBR	12-A1331AL
Iron	EPDM	12-A1332AL

Due to constant development of our products, minor deviations in the design and non-standardized dimensions may occur.

DN	A	D	HA	K	L	S	U	X	b3	$\phi d8$	L5	t2	ISO 5210
16"	14,57	25,50	35,50	22,50	24	2,25	20	1,375	0,47	1,57	3,15	1,69	F16
18"	16,10	28,00	38,30	24,75	26	2,38	24	1,375	0,47	1,57	3,15	1,69	F16
20"	24,61	30,50	40,90	27,00	28	2,50	24	1,375	0,47	1,57	3,15	1,69	F16
24"	19,80	36,00	50,10	32,00	31	2,75	24	1,625	0,55	1,97	3,15	2,11	F16
30"	24,49	43,00	69,10	39,25	36*	3,00	28	2,000	0,71	2,56	4,33	2,72	F25
36"	30,24	50,00	77,40	46,00	40*	3,38	32	2,250	0,71	2,56	4,33	2,72	F25
42"	32,09	57,00	90,90	52,75	44*	3,69	36	2,250	0,71	2,56	4,33	2,72	F25
48"	35,43	65,00	98,90	60,75	48*	4,00	40	2,250	0,98	3,54	5,12	3,74	F30

Notes: * Not included in the standard.
U = No. of bolts. X = Size of bolt holes.