



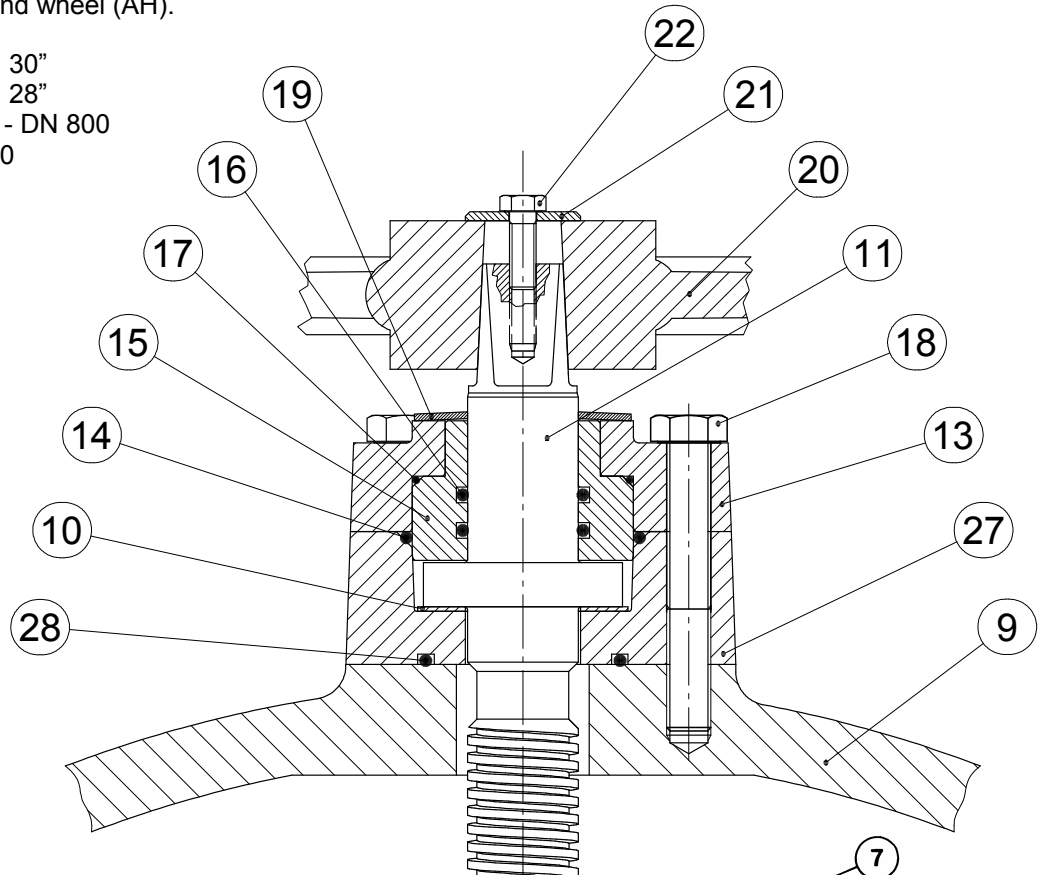
BRDR. CHRISTENSEN ApS

Skudersløse - 4690 Haslev - Denmark - Tel. +45 56 36 36 36 - Fax +45 56 36 36 00 - bch@bch.dk - www.bch.dk

Sectional view and parts list

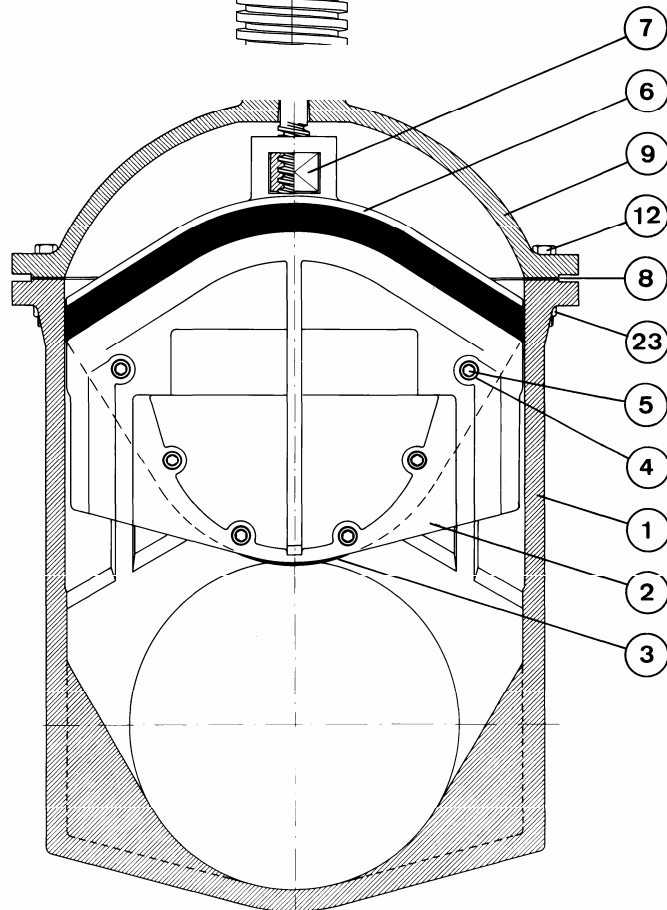
Non rising stem with hand wheel (AH).

Class 125: DN 14" - DN 30"
 Class 250: DN 14" - DN 28"
 PN 10 / PN 16: DN 350 - DN 800
 PN 25: DN 350 - DN 700



Pos. Description

- 1 Body
- 2 Wedge (gate)
- 3 Rubber seal
- 4 Washer
- 5 Screw
- 6 Pressure piece
- 7 Stem nut
- 8 Gasket
- 9 Bonnet
- 10 Washer (bearing)
- 11 Stem
- 12 Bolt
- 13 O-ring piece
- 14 O-ring
- 15 Bushing
- 16 O-ring
- 17 O-ring
- 18 Bolt
- 19 Weather seal
- 20 Hand wheel or operating square
- 21 Washer
- 22 Screw
- 23 Nut
- 24 Washer (not shown)
- 25 Stud for ring nut (not shown)
- 26 Ring nut (not shown)
- 27 Stem guide*
- 28 O-ring*
- 29 Relieve plug (not shown)



* DN 800 / 30" and DN 900 / 36" only.

Sectional view and parts list

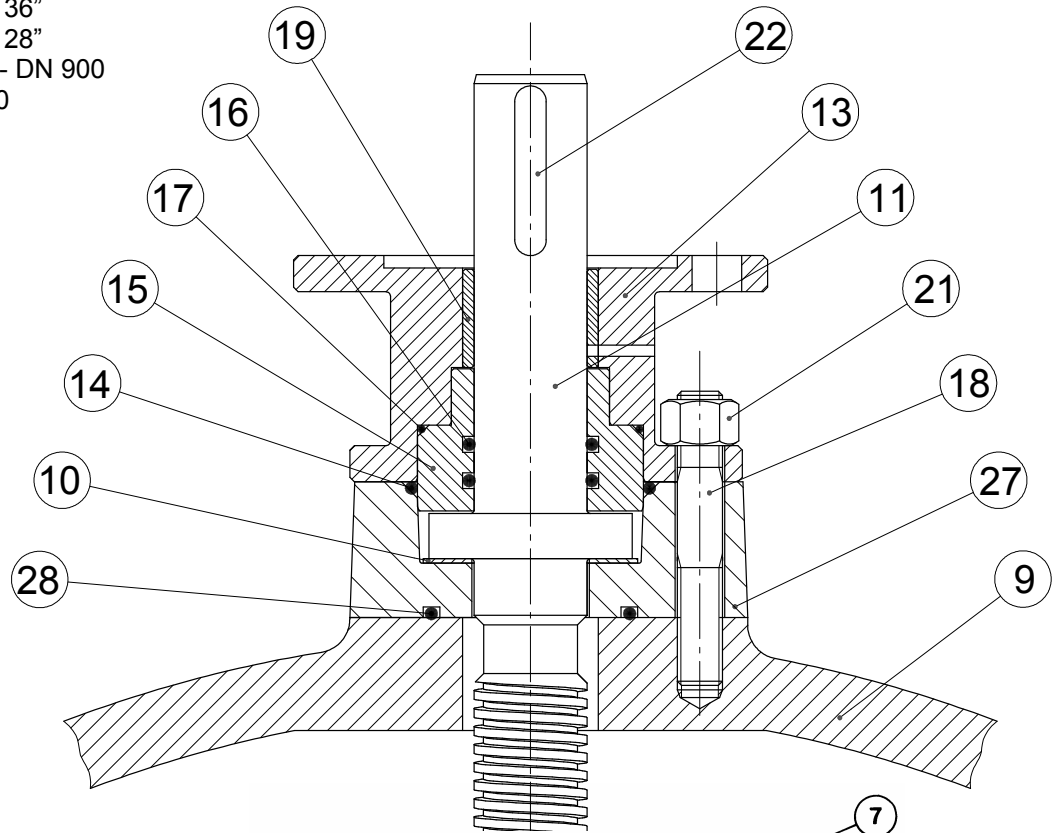
Non rising stem and actuator flange (AL).

Class 125: DN 14" - DN 36"

Class 250: DN 14" - DN 28"

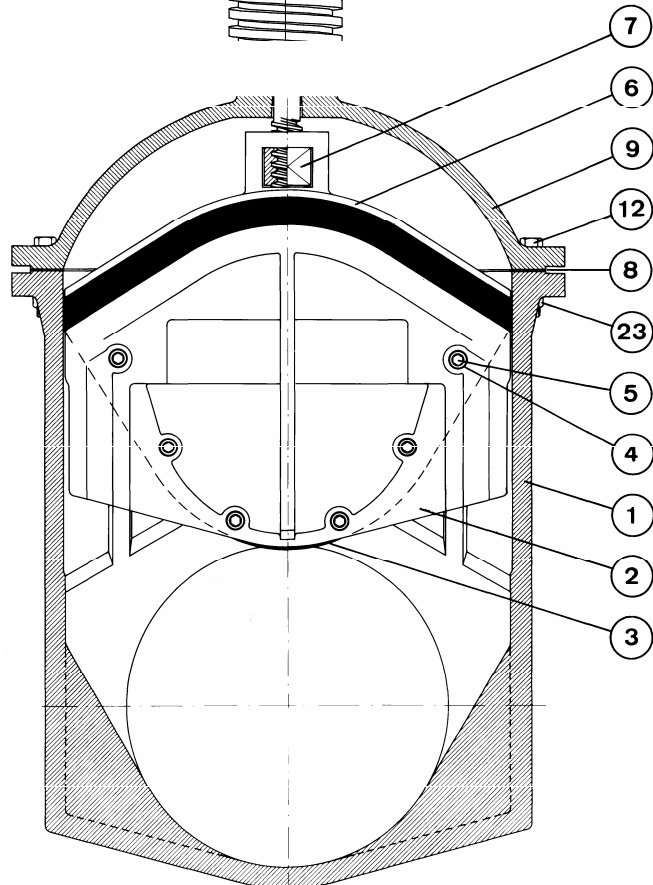
PN 10 / PN 16: DN 350 - DN 900

PN 25: DN 350 - DN 700



Pos. Description

- 1 Body
- 2 Wedge (gate)
- 3 Rubber seal
- 4 Washer
- 5 Screw
- 6 Pressure piece
- 7 Stem nut
- 8 Gasket
- 9 Bonnet
- 10 Washer (bearing)
- 11 Stem
- 12 Bolt
- 13 O-ring piece with ISO 5210 flange
- 14 O-ring
- 15 Bushing
- 16 O-ring
- 17 O-ring
- 18 Stud
- 19 Bushing*
- 21 Nut
- 22 Key
- 23 Nut
- 24 Washer (not shown)
- 25 Stud for ring nut (not shown)
- 26 Ring nut (not shown)
- 27 Stem guide*
- 28 O-ring*
- 29 Relieve plug (not shown)



* DN 800 / 30" and DN 900 / 36" only.

Sectional view and parts list

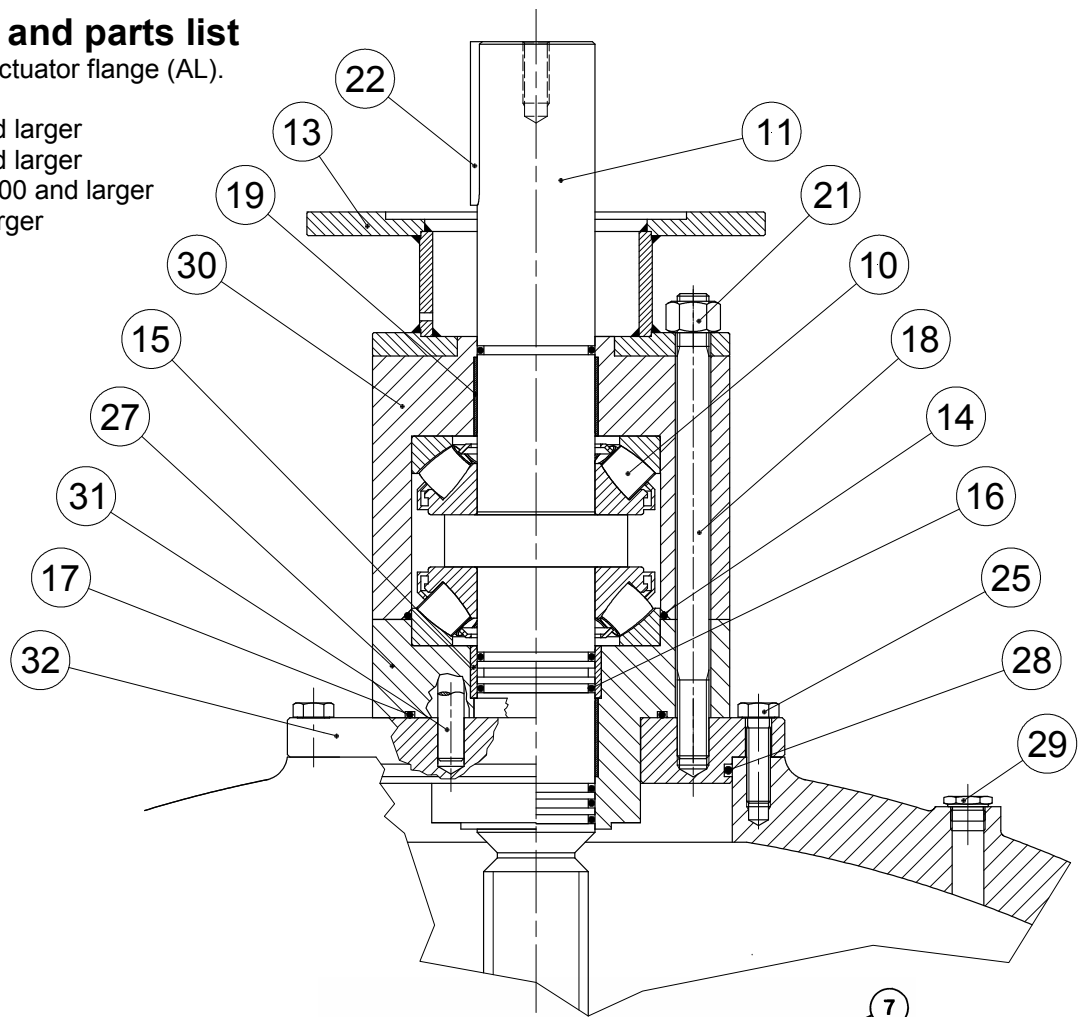
Non rising stem and actuator flange (AL).

Class 125: DN 42" and larger

Class 250: DN 30" and larger

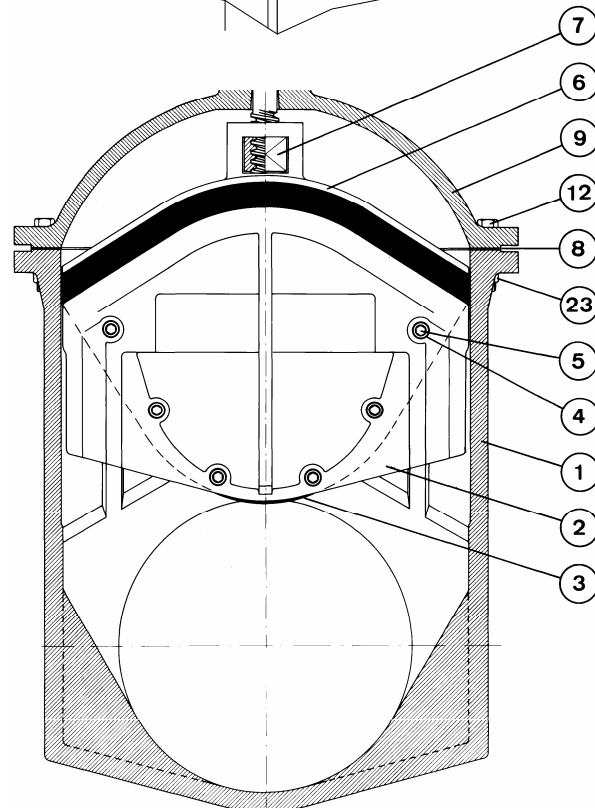
PN 10 / PN 16: DN 1000 and larger

PN 25: DN 800 and larger



Pos. Description

- 1 Body
- 2 Wedge (gate)
- 3 Rubber seal
- 4 Washer
- 5 Screw
- 6 Pressure piece
- 7 Stem nut
- 8 Gasket
- 9 Bonnet
- 10 Roller bearing
- 11 Stem
- 12 Bolt
- 13 Top flange
- 14 O-ring
- 15 Bushing
- 16 O-ring
- 17 O-ring
- 18 Stud
- 19 Bearing
- 21 Nut
- 22 Key
- 23 Nut
- 24 Washer at pos. 32 (not shown)
- 25 Screw
- 27 Stem guide
- 28 O-ring*
- 29 Relieve plug (some designs only)
- 30 Bearing housing
- 31 Dowel pin
- 32 Bonnet cover*
- 33 Grease nipple (not shown)

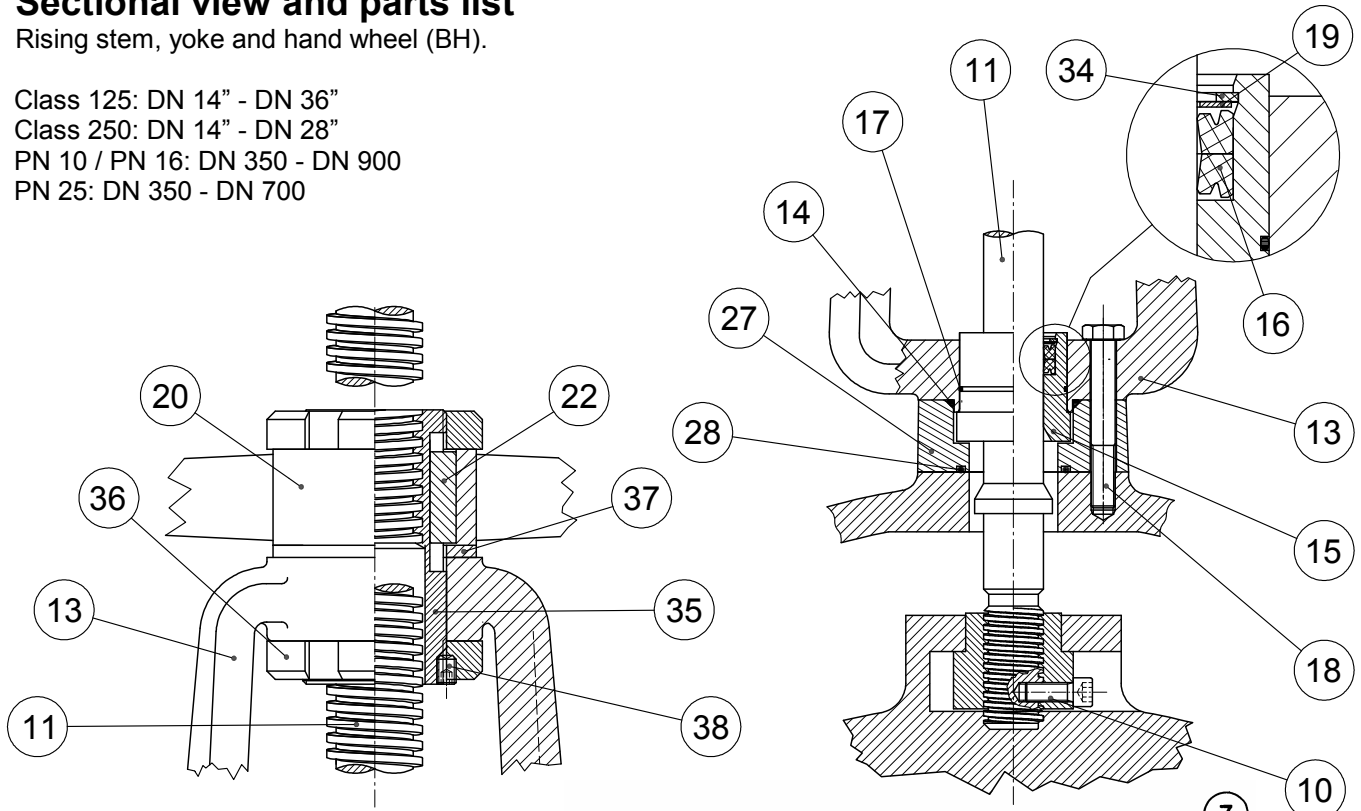


* DN 1400 / 54" and larger only.

Sectional view and parts list

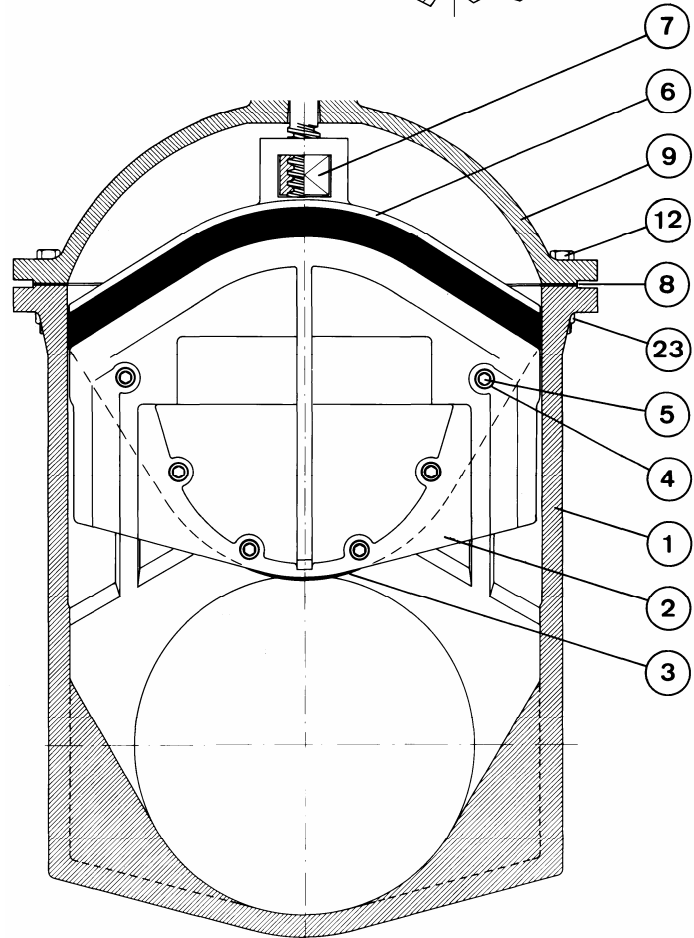
Rising stem, yoke and hand wheel (BH).

Class 125: DN 14" - DN 36"
 Class 250: DN 14" - DN 28"
 PN 10 / PN 16: DN 350 - DN 900
 PN 25: DN 350 - DN 700



Pos. Description

- 1 Body
- 2 Wedge (gate)
- 3 Rubber seal
- 4 Washer
- 5 Screw
- 6 Pressure piece
- 7 Stem nut
- 8 Gasket
- 9 Bonnet
- 10 Screw
- 11 Stem
- 12 Bolt
- 13 Yoke
- 14 O-ring
- 15 Bushing
- 16 U-cup seal
- 17 O-ring
- 18 Bolt
- 19 Washer
- 20 Hand wheel
- 22 Key
- 23 Nut
- 24 Washer (not shown)
- 25 Stud for ring nut (not shown)
- 26 Ring nut (not shown)
- 27 Stem guide*
- 28 O-ring*
- 29 Relieve plug (not shown)
- 34 Snap ring
- 35 Top stem nut
- 36 Nut
- 37 Bearing ring
- 38 Socket set screw



* DN 800 / 30" and DN 900 / 36" only.